

## Single Channel 16-bit CIS/CCD AFE with 4-bit Wide Output

### DESCRIPTION

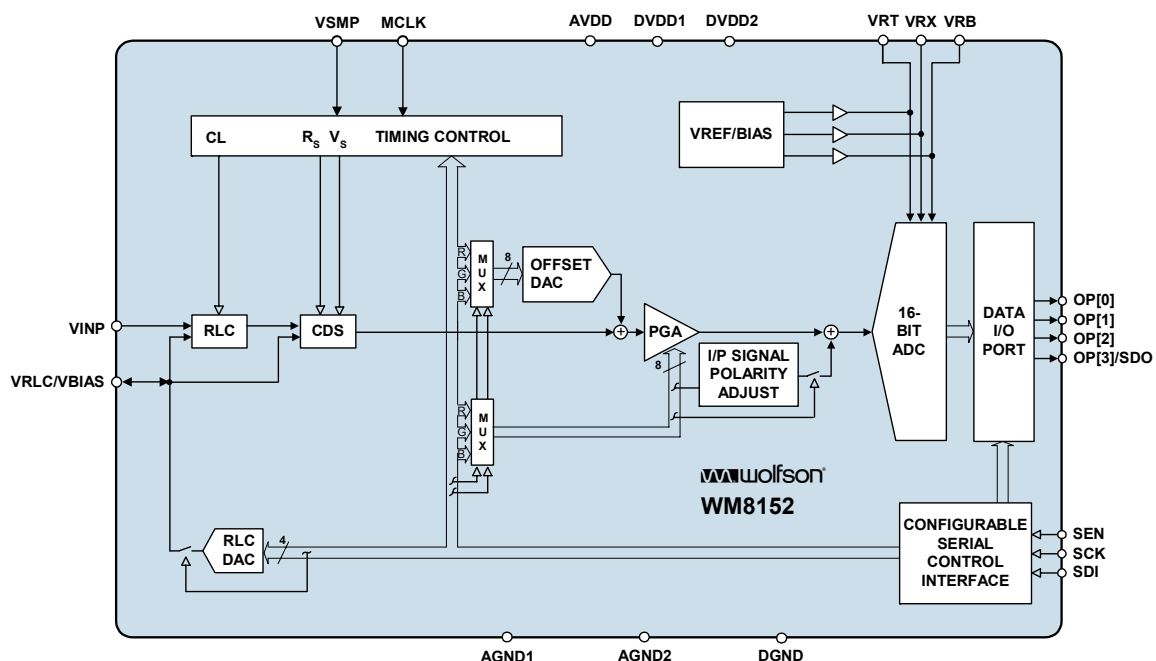
The WM8152 is a 16-bit analogue front end/digitiser IC which processes and digitises the analogue output signals from CCD sensors or Contact Image Sensors (CIS) at pixel sample rates of up to 12MSPS.

The device includes a complete analogue signal processing channel containing Reset Level Clamping, Correlated Double Sampling, Programmable Gain and Offset adjust functions. Internal multiplexers allow fast switching of offset and gain for line-by-line colour processing. The output from this channel is time multiplexed into a high-speed 16-bit Analogue to Digital Converter. The digital output data is available in 4-bit wide multiplexed format.

An internal 4-bit DAC is supplied for internal reference level generation. This may be used to reference CIS signals or during Reset Level Clamping to clamp CCD signals. An external reference level may also be supplied. ADC references are generated internally, ensuring optimum performance from the device.

Using an analogue supply voltage of 5V, a digital core voltage of 5V, and a digital interface supply of either 5V or 3.3V, the WM8152 typically only consumes 225mW when operating from a single 5V supply.

### BLOCK DIAGRAM



### FEATURES

- 16-bit ADC
- 12MSPS conversion rate
- Low power - 225mW typical
- 5V single supply or 5V/3.3V dual supply operation
- Single channel operation
- Correlated double sampling
- Programmable gain (8-bit resolution)
- Programmable offset adjust (8-bit resolution)
- Programmable clamp voltage
- 4-bit wide multiplexed data output format
- Internally generated voltage references
- 20-lead SSOP package
- Serial control interface

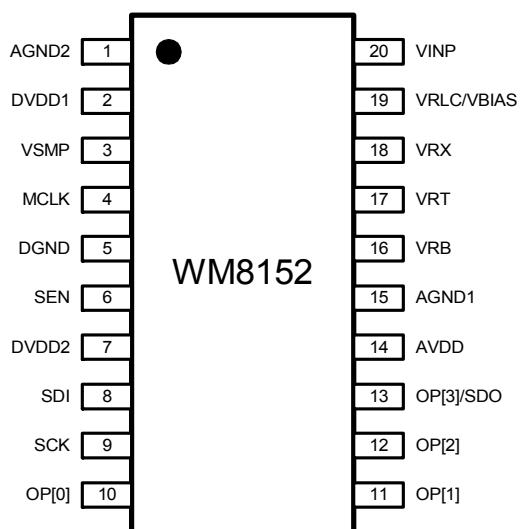
### APPLICATIONS

- Flatbed and sheetfeed scanners
- USB compatible scanners
- Multi-function peripherals
- High-performance CCD sensor interface

## TABLE OF CONTENTS

|   |           |
|---|-----------|
| <b>DESCRIPTION .....</b>                      | <b>1</b>  |
| <b>FEATURES.....</b>                          | <b>1</b>  |
| <b>APPLICATIONS .....</b>                     | <b>1</b>  |
| <b>BLOCK DIAGRAM .....</b>                    | <b>1</b>  |
| <b>TABLE OF CONTENTS .....</b>                | <b>2</b>  |
| <b>PIN CONFIGURATION.....</b>                 | <b>3</b>  |
| <b>ORDERING INFORMATION .....</b>             | <b>3</b>  |
| <b>PIN DESCRIPTION .....</b>                  | <b>4</b>  |
| <b>ABSOLUTE MAXIMUM RATINGS.....</b>          | <b>5</b>  |
| <b>RECOMMENDED OPERATING CONDITIONS .....</b> | <b>5</b>  |
| <b>THERMAL PERFORMANCE .....</b>              | <b>5</b>  |
| <b>ELECTRICAL CHARACTERISTICS .....</b>       | <b>6</b>  |
| INPUT VIDEO SAMPLING.....                     | 8         |
| OUTPUT DATA TIMING .....                      | 8         |
| SERIAL INTERFACE .....                        | 9         |
| <b>INTERNAL POWER ON RESET CIRCUIT .....</b>  | <b>10</b> |
| <b>DEVICE DESCRIPTION.....</b>                | <b>12</b> |
| INTRODUCTION.....                             | 12        |
| INPUT SAMPLING.....                           | 12        |
| RESET LEVEL CLAMPING (RLC) .....              | 12        |
| CDS/NON-CDS PROCESSING .....                  | 13        |
| OFFSET ADJUST AND PROGRAMMABLE GAIN .....     | 14        |
| ADC INPUT BLACK LEVEL ADJUST .....            | 15        |
| OVERALL SIGNAL FLOW SUMMARY .....             | 15        |
| CALCULATING OUTPUT FOR ANY GIVEN INPUT .....  | 15        |
| OUTPUT DATA FORMAT .....                      | 17        |
| CONTROL INTERFACE .....                       | 18        |
| TIMING REQUIREMENTS.....                      | 18        |
| PROGRAMMABLE VSMP DETECT CIRCUIT .....        | 19        |
| REFERENCES.....                               | 20        |
| POWER SUPPLY .....                            | 20        |
| POWER MANAGEMENT .....                        | 20        |
| OPERATING MODES.....                          | 20        |
| OPERATING MODE TIMING DIAGRAMS .....          | 21        |
| <b>DEVICE CONFIGURATION .....</b>             | <b>23</b> |
| REGISTER MAP .....                            | 23        |
| REGISTER MAP DESCRIPTION .....                | 24        |
| <b>APPLICATIONS INFORMATION .....</b>         | <b>26</b> |
| RECOMMENDED EXTERNAL COMPONENTS.....          | 26        |
| RECOMMENDED EXTERNAL COMPONENTS VALUES.....   | 26        |
| <b>PACKAGE DIMENSIONS .....</b>               | <b>27</b> |
| <b>IMPORTANT NOTICE .....</b>                 | <b>28</b> |
| ADDRESS:.....                                 | 28        |

## PIN CONFIGURATION



## ORDERING INFORMATION

| DEVICE        | TEMPERATURE RANGE | PACKAGE                                  | MOISTURE SENSITIVITY LEVEL | PEAK SOLDERING TEMPERATURE |
|---------------|-------------------|--|----------------------------|----------------------------|
| WM8152SCDS/V  | 0 to 70°C         | 20-lead SSOP<br>(Pb free)                | MSL2                       | 260°C                      |
| WM8152SCDS/RV | 0 to 70°C         | 20-lead SSOP<br>(Pb free, tape and reel) | MSL2                       | 260°C                      |

**Note:**

Reel quantity = 2,000

## PIN DESCRIPTION

| PIN | NAME       | TYPE            | DESCRIPTION  |   |   |   |   |     |    |    |    |     |    |    |    |     |     |    |    |     |     |    |    |
|-----|------------|-----------------|--|---|---|---|---|-----|----|----|----|-----|----|----|----|-----|-----|----|----|-----|-----|----|----|
| 1   | AGND2      | Supply          | Analogue ground (0V).  |   |   |   |   |     |    |    |    |     |    |    |    |     |     |    |    |     |     |    |    |
| 2   | DVDD1      | Supply          | Digital core (logic and clock generator) supply (5V)   |   |   |   |   |     |    |    |    |     |    |    |    |     |     |    |    |     |     |    |    |
| 3   | VSMP       | Digital input   | Video sample synchronisation pulse.  |   |   |   |   |     |    |    |    |     |    |    |    |     |     |    |    |     |     |    |    |
| 4   | MCLK       | Digital input   | Master clock. This clock is applied at N times the input pixel rate (N = 2, 3, 6, 8 or any multiple of 2 thereafter depending on input sample mode).   |   |   |   |   |     |    |    |    |     |    |    |    |     |     |    |    |     |     |    |    |
| 5   | DGND       | Supply          | Digital ground (0V).   |   |   |   |   |     |    |    |    |     |    |    |    |     |     |    |    |     |     |    |    |
| 6   | SEN        | Digital input   | Enables the serial interface when high.  |   |   |   |   |     |    |    |    |     |    |    |    |     |     |    |    |     |     |    |    |
| 7   | DVDD2      | Supply          | Digital supply (5V/3.3V), all digital I/O pins.  |   |   |   |   |     |    |    |    |     |    |    |    |     |     |    |    |     |     |    |    |
| 8   | SDI        | Digital input   | Serial data input.   |   |   |   |   |     |    |    |    |     |    |    |    |     |     |    |    |     |     |    |    |
| 9   | SCK        | Digital input   | Serial clock.  |   |   |   |   |     |    |    |    |     |    |    |    |     |     |    |    |     |     |    |    |
|     |            |                 | Digital multiplexed output data bus.<br>ADC output data (d15:d0) is available in 4-bit multiplexed format as shown below.  |   |   |   |   |     |    |    |    |     |    |    |    |     |     |    |    |     |     |    |    |
|     |            |                 | <table border="1" style="width: 100%; border-collapse: collapse;"> <thead> <tr> <th style="width: 25%;">A</th> <th style="width: 25%;">B</th> <th style="width: 25%;">C</th> <th style="width: 25%;">D</th> </tr> </thead> <tbody> <tr> <td>d12</td> <td>d8</td> <td>d4</td> <td>d0</td> </tr> <tr> <td>d13</td> <td>d9</td> <td>d5</td> <td>d1</td> </tr> <tr> <td>d14</td> <td>d10</td> <td>d6</td> <td>d2</td> </tr> <tr> <td>d15</td> <td>d11</td> <td>d7</td> <td>d3</td> </tr> </tbody> </table> | A | B | C | D | d12 | d8 | d4 | d0 | d13 | d9 | d5 | d1 | d14 | d10 | d6 | d2 | d15 | d11 | d7 | d3 |
| A   | B          | C               | D  |   |   |   |   |     |    |    |    |     |    |    |    |     |     |    |    |     |     |    |    |
| d12 | d8         | d4              | d0   |   |   |   |   |     |    |    |    |     |    |    |    |     |     |    |    |     |     |    |    |
| d13 | d9         | d5              | d1   |   |   |   |   |     |    |    |    |     |    |    |    |     |     |    |    |     |     |    |    |
| d14 | d10        | d6              | d2   |   |   |   |   |     |    |    |    |     |    |    |    |     |     |    |    |     |     |    |    |
| d15 | d11        | d7              | d3   |   |   |   |   |     |    |    |    |     |    |    |    |     |     |    |    |     |     |    |    |
| 10  | OP[0]      | Digital output  |  |   |   |   |   |     |    |    |    |     |    |    |    |     |     |    |    |     |     |    |    |
| 11  | OP[1]      | Digital output  |  |   |   |   |   |     |    |    |    |     |    |    |    |     |     |    |    |     |     |    |    |
| 12  | OP[2]      | Digital output  |  |   |   |   |   |     |    |    |    |     |    |    |    |     |     |    |    |     |     |    |    |
| 13  | OP[3]/SDO  | Digital output  |  |   |   |   |   |     |    |    |    |     |    |    |    |     |     |    |    |     |     |    |    |
|     |            |                 | Alternatively, pin OP[3]/SDO may be used to output register read-back data when address bit 4=1 and SEN has been pulsed high. See Serial Interface description in Device Description section for further details.  |   |   |   |   |     |    |    |    |     |    |    |    |     |     |    |    |     |     |    |    |
| 14  | AVDD       | Supply          | Analogue supply (5V)   |   |   |   |   |     |    |    |    |     |    |    |    |     |     |    |    |     |     |    |    |
| 15  | AGND1      | Supply          | Analogue ground (0V).  |   |   |   |   |     |    |    |    |     |    |    |    |     |     |    |    |     |     |    |    |
| 16  | VRB        | Analogue output | Lower reference voltage.<br>This pin must be connected to AGND via a decoupling capacitor.   |   |   |   |   |     |    |    |    |     |    |    |    |     |     |    |    |     |     |    |    |
| 17  | VRT        | Analogue output | Upper reference voltage.<br>This pin must be connected to AGND via a decoupling capacitor.   |   |   |   |   |     |    |    |    |     |    |    |    |     |     |    |    |     |     |    |    |
| 18  | VRX        | Analogue output | Input return bias voltage.<br>This pin must be connected to AGND via a decoupling capacitor.   |   |   |   |   |     |    |    |    |     |    |    |    |     |     |    |    |     |     |    |    |
| 19  | VRLC/VBIAS | Analogue I/O    | Selectable analogue output voltage for RLC or single-ended bias reference.<br>This pin would typically be connected to AGND via a decoupling capacitor.<br>VRLC can be externally driven if programmed Hi-Z.   |   |   |   |   |     |    |    |    |     |    |    |    |     |     |    |    |     |     |    |    |
| 20  | VINP       | Analogue input  | Video input.   |   |   |   |   |     |    |    |    |     |    |    |    |     |     |    |    |     |     |    |    |

## ABSOLUTE MAXIMUM RATINGS

Absolute Maximum Ratings are stress ratings only. Permanent damage to the device may be caused by continuously operating at or beyond these limits. Device functional operating limits and guaranteed performance specifications are given under Electrical Characteristics at the test conditions specified.



ESD Sensitive Device. This device is manufactured on a CMOS process. It is therefore generically susceptible to damage from excessive static voltages. Proper ESD precautions must be taken during handling and storage of this device.

Wolfson tests its package types according to IPC/JEDEC J-STD-020B for Moisture Sensitivity to determine acceptable storage conditions prior to surface mount assembly. These levels are:

MSL1 = unlimited floor life at <30°C / 85% Relative Humidity. Not normally stored in moisture barrier bag.

MSL2 = out of bag storage for 1 year at <30°C / 60% Relative Humidity. Supplied in moisture barrier bag.

MSL3 = out of bag storage for 168 hours at <30°C / 60% Relative Humidity. Supplied in moisture barrier bag.

The Moisture Sensitivity Level for each package type is specified in Ordering Information.

| CONDITION  | MIN        | MAX          |
|--|------------|--------------|
| Analogue supply voltage: AVDD                        | GND - 0.3V | GND + 7V     |
| Digital core voltage: DVDD1                          | GND - 0.3V | GND + 7V     |
| Digital IO supply voltage: DVDD2                     | GND - 0.3V | GND + 7V     |
| Digital ground: DGND                                 | GND - 0.3V | GND + 0.3V   |
| Analogue grounds: AGND1 – 2                          | GND - 0.3V | GND + 0.3V   |
| Digital inputs, digital outputs and digital I/O pins | GND - 0.3V | DVDD2 + 0.3V |
| Analogue input (VINP)                                | GND - 0.3V | AVDD + 0.3V  |
| Other pins   | GND - 0.3V | AVDD + 0.3V  |
| Operating temperature range: T <sub>A</sub>          | 0°C        | +70°C        |
| Storage temperature after soldering                  | -65°C      | +150°C       |
| Package body temperature (soldering, 10 seconds)     |            | +260°C       |
| Package body temperature (soldering, 2 minutes)      |            | +183°C       |

### Notes:

1. GND denotes the voltage of any ground pin.
2. AGND1, AGND2 and DGND pins are intended to be operated at the same potential. Differential voltages between these pins will degrade performance.

## RECOMMENDED OPERATING CONDITIONS

| CONDITION                   | SYMBOL         | MIN   | TYP  | MAX  | UNITS |   |
|-----------------------------|----------------|-------|------|------|-------|---|
| Operating temperature range | T <sub>A</sub> | 0     |      | 70   | °C    |   |
| Analogue supply voltage     | AVDD           | 4.75  | 5.0  | 5.25 | V     |   |
| Digital core supply voltage | DVDD1          | 4.75  | 5.0  | 5.25 | V     |   |
| Digital I/O supply voltage  | 5V I/O         | DVDD2 | 4.75 | 5.0  | 5.25  | V |
|                             | 3.3V I/O       | DVDD2 | 2.97 | 3.3  | 3.63  | V |

## THERMAL PERFORMANCE

| PARAMETER                                | SYMBOL           | TEST CONDITIONS             | MIN | TYP  | MAX | UNIT |
|--|------------------|-----------------------------|-----|------|-----|------|
| <b>Performance</b>                       |                  |                             |     |      |     |      |
| Thermal resistance – junction to case    | R <sub>θJC</sub> | T <sub>ambient</sub> = 25°C |     | 32.2 |     | °C/W |
| Thermal resistance – junction to ambient | R <sub>θJA</sub> |                             |     | 81.1 |     | °C/W |

### Notes:

1. Figures given are for package mounted on 4-layer FR4 according to JESD51-5 and JESD51-7.

## ELECTRICAL CHARACTERISTICS

## Test Conditions

AVDD = DVDD1 = 5.0V, DVDD2 = 3.3V, AGND = DGND = 0V, T<sub>A</sub> = 25°C, MCLK = 24MHz unless otherwise stated.

| PARAMETER   | SYMBOL               | TEST CONDITIONS                   | MIN          | TYP          | MAX          | UNIT               |
|---|----------------------|-----------------------------------|--------------|--------------|--------------|--------------------|
| <b>Overall System Specification (including 16-bit ADC, PGA, Offset and CDS functions)</b> |                      |                                   |              |              |              |                    |
| Full-scale input voltage range<br>(see Note 1)  |                      | Max Gain<br>Min Gain              |              | 0.30<br>3.22 |              | Vp-p<br>Vp-p       |
| Input signal limits (see Note 2)  | V <sub>IN</sub>      |                                   | 0            |              | VDD          | V                  |
| Full-scale transition error   |                      | Gain = 0dB;<br>PGA[7:0] = 07(hex) | -50          | 10           | +50          | mV                 |
| Zero-scale transition error   |                      | Gain = 0dB;<br>PGA[7:0] = 07(hex) | -50          | 10           | +50          | mV                 |
| Differential non-linearity  | DNL                  |                                   |              | 1.25         |              | LSB                |
| Integral non-linearity  | INL                  |                                   |              | 25           |              | LSB                |
| Total output noise  |                      | Min Gain<br>Max Gain              |              | 4.5<br>14    |              | LSB rms<br>LSB rms |
| <b>References</b>   |                      |                                   |              |              |              |                    |
| Upper reference voltage   | VRT                  |                                   |              | 2.70         |              | V                  |
| Lower reference voltage   | VRB                  |                                   |              | 1.45         |              | V                  |
| Input return bias voltage   | VRX                  |                                   | 1.55         | 1.65         | 1.75         | V                  |
| Diff. reference voltage (VRT-VRB)   | V <sub>RTB</sub>     |                                   | 1.15         | 1.25         | 1.35         | V                  |
| Output resistance VRT, VRB, VRX   |                      |                                   |              | 1            |              | Ω                  |
| <b>VRLC/Reset-Level Clamp (RLC)</b>   |                      |                                   |              |              |              |                    |
| RLC switching impedance   |                      |                                   | 20           | 50           | 100          | Ω                  |
| VRLC short-circuit current  |                      |                                   | 1.86         | 2            | 4.5          | mA                 |
| VRLC output resistance  |                      |                                   |              | 2            |              | Ω                  |
| VRLC Hi-Z leakage current   |                      | VRLC = 0 to AVDD                  |              |              | 1            | μA                 |
| RLCDAC resolution   |                      |                                   |              | 4            |              | bits               |
| RLCDAC step size, RLCDAC = 0  | V <sub>RLCSTEP</sub> | AVDD = 5.0V                       | 0.23         | 0.25         | 0.27         | V/step             |
| RLCDAC step size, RLCDAC = 1  | V <sub>RLCSTEP</sub> |                                   | 0.14         | 0.16         | 0.20         | V/step             |
| RLCDAC output voltage at<br>code 0(hex), RLCDACRNG = 0                                    | V <sub>RLCBOT</sub>  | AVDD = 5.0V                       | 0.34         | 0.39         | 0.44         | V                  |
| RLCDAC output voltage at<br>code 0(hex), RLCDACRNG = 1                                    | V <sub>RLCBOT</sub>  |                                   | 0.20         | 0.26         | 0.31         | V                  |
| RLCDAC output voltage at<br>code F(hex) RLCDACRNG, = 0                                    | V <sub>RLCTOP</sub>  | AVDD = 5.0V                       | 4.0          | 4.16         | 4.3          | V                  |
| RLCDAC output voltage at<br>code F(hex), RLCDACRNG = 1                                    | V <sub>RLCTOP</sub>  |                                   | 2.56         | 2.66         | 2.76         | V                  |
| <b>Offset DAC, Monotonicity Guaranteed</b>  |                      |                                   |              |              |              |                    |
| Resolution  |                      |                                   |              | 8            |              | bits               |
| Differential non-linearity  | DNL                  |                                   |              | 0.1          | 0.5          | LSB                |
| Integral non-linearity  | INL                  |                                   |              | 0.25         | 1            | LSB                |
| Step size   |                      |                                   |              | 2.04         |              | mV/step            |
| Output voltage  |                      | Code 00(hex)<br>Code FF(hex)      | -247<br>+247 | -260<br>+260 | -273<br>+273 | mV<br>mV           |

## Notes:

1. **Full-scale input voltage** denotes the peak input signal amplitude that can be gained to match the ADC input range.
2. **Input signal limits** are the limits within which the full-scale input voltage signal must lie.

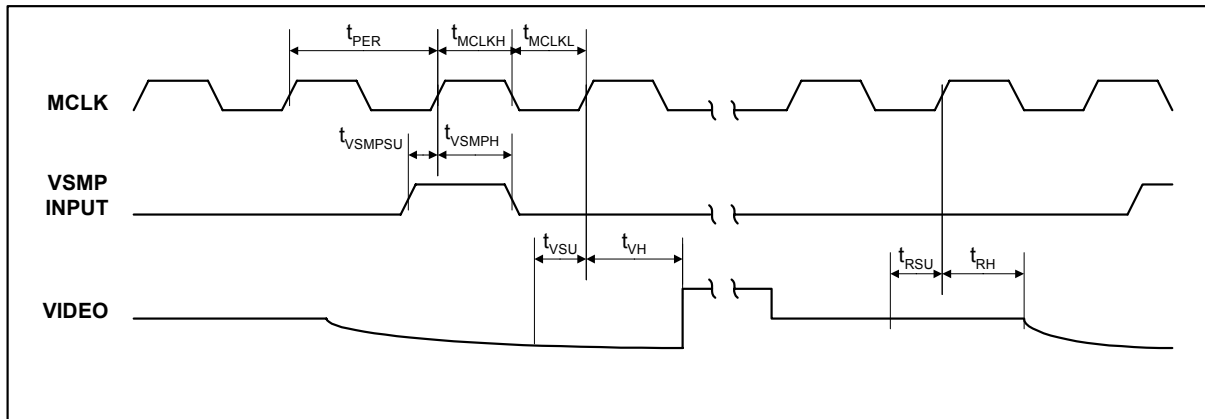
**Test Conditions**AVDD = DVDD1 = 5.0V, DVDD2 = 3.3V, AGND = DGND = 0V, T<sub>A</sub> = 25°C, MCLK = 24MHz unless otherwise stated.

| PARAMETER   | SYMBOL             | TEST CONDITIONS       | MIN         | TYP  | MAX         | UNIT |
|---|--------------------|-----------------------|-------------|--|-------------|------|
| <b>Programmable Gain Amplifier</b>                      |                    |                       |             |  |             |      |
| Resolution  |                    |                       |             | 8  |             | bits |
| Gain equation   |                    |                       |             | $0.78 + \frac{\text{PGA}[7:0] \times 7.57}{255}$ |             | V/V  |
| Max gain  | G <sub>MAX</sub>   |                       | 6.8         | 8.35   | 8.7         | V/V  |
| Min gain  | G <sub>MIN</sub>   |                       | 0.75        | 0.78   | 0.82        | V/V  |
| Gain error  |                    |                       |             | 1  | 2           | %    |
| Internal channel offset                                 | V <sub>OFF</sub>   |                       |             | 10   |             | mV   |
| <b>Analogue to Digital Converter</b>                    |                    |                       |             |  |             |      |
| Resolution  |                    |                       |             | 16   |             | bits |
| Maximum Speed   |                    |                       | 12          |  |             | MSPS |
| Full-scale input range<br>(2*(VRT-VRB))                 | V <sub>FS</sub>    |                       |             | 2.5  |             | V    |
| <b>DIGITAL SPECIFICATIONS</b>                           |                    |                       |             |  |             |      |
| <b>Digital Inputs</b>                                   |                    |                       |             |  |             |      |
| High level input voltage                                | V <sub>IH</sub>    |                       | 0.7 * DVDD2 |  |             | V    |
| Low level input voltage                                 | V <sub>IL</sub>    |                       |             |  | 0.2 * DVDD2 | V    |
| High level input current                                | I <sub>IH</sub>    |                       |             |  | 1           | µA   |
| Low level input current                                 | I <sub>IL</sub>    |                       |             |  | 1           | µA   |
| Input capacitance                                       | C <sub>I</sub>     |                       |             | 5  |             | pF   |
| <b>Digital Outputs</b>                                  |                    |                       |             |  |             |      |
| High level output voltage                               | V <sub>OH</sub>    | I <sub>OH</sub> = 1mA | DVDD2 - 0.5 |  |             | V    |
| Low level output voltage                                | V <sub>OL</sub>    | I <sub>OL</sub> = 1mA |             |  | 0.5         | V    |
| <b>Supply Currents</b>                                  |                    |                       |             |  |             |      |
| Total supply current – active                           |                    |                       |             | 45   |             | mA   |
| Total analogue AVDD, supply current – active            | I <sub>AVDD</sub>  |                       |             | 41   |             | mA   |
| Total digital core, DVDD1, supply current – active      | I <sub>DVDD1</sub> |                       |             | 3  |             | mA   |
| Digital I/O supply current, DVDD2 – active (see note 3) | I <sub>DVDD2</sub> |                       |             | 3  |             | mA   |
| Supply current – full power down mode                   |                    |                       |             | 300  | 400         | µA   |

**Notes:**

- Digital I/O supply current depends on the capacitive load attached to the pin. The Digital I/O supply current is measured with approximately 50pF attached to the pin.

**INPUT VIDEO SAMPLING**



**Figure 1 Input Video Timing**

**Note:**

1. See Page 15 (Programmable VSMP Detect Circuit) for video sampling description.

**Test Conditions**

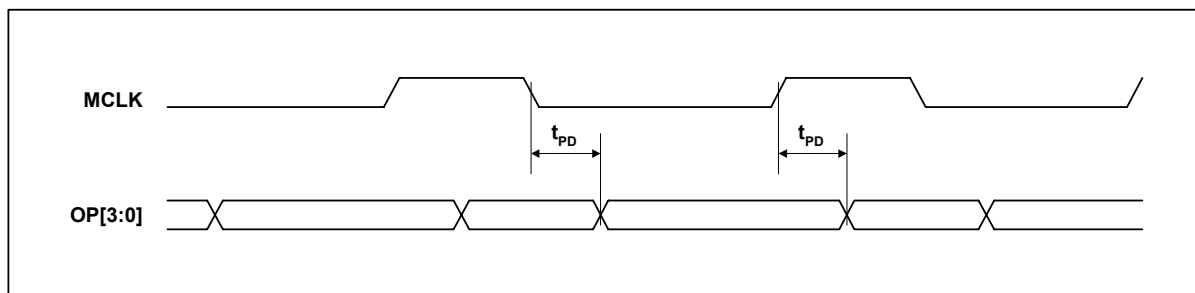
VDD = 5.0V, DVDD = 3.3V, AGND = DGND = 0V, T<sub>A</sub> = 25°C, MCLK = 24MHz unless otherwise stated.

| PARAMETER               | SYMBOL             | TEST CONDITIONS | MIN  | TYP | MAX | UNITS |
|-------------------------|--------------------|-----------------|------|-----|-----|-------|
| MCLK period             | t <sub>PER</sub>   |                 | 41.6 |     |     | ns    |
| MCLK high period        | t <sub>MCLKH</sub> |                 | 18.8 |     |     | ns    |
| MCLK low period         | t <sub>MCLKL</sub> |                 | 18.8 |     |     | ns    |
| VSMP set-up time        | t <sub>VSMP</sub>  |                 | 6    |     |     | ns    |
| VSMP hold time          | t <sub>VSMPH</sub> |                 | 3    |     |     | ns    |
| Video level set-up time | t <sub>VSU</sub>   |                 | 10   |     |     | ns    |
| Video level hold time   | t <sub>VH</sub>    |                 | 3    |     |     | ns    |
| Reset level set-up time | t <sub>RSU</sub>   |                 | 10   |     |     | ns    |
| Reset level hold time   | t <sub>RH</sub>    |                 | 3    |     |     | ns    |

**Notes:**

1. t<sub>VSU</sub> and t<sub>RSU</sub> denote the set-up time required after the input video signal has settled.
2. Parameters are measured at 50% of the rising/falling edge.

**OUTPUT DATA TIMING**



**Figure 2 Output Data Timing**

**Test Conditions**

VDD = 5.0V, DVDD = 3.3V, AGND = DGND = 0V, T<sub>A</sub> = 25°C, MCLK = 24MHz unless otherwise stated.

| PARAMETER                | SYMBOL          | TEST CONDITIONS                              | MIN | TYP | MAX | UNITS |
|--------------------------|-----------------|--|-----|-----|-----|-------|
| Output propagation delay | t <sub>PD</sub> | I <sub>OH</sub> = 1mA, I <sub>OL</sub> = 1mA |     |     | 20  | ns    |



## SERIAL INTERFACE

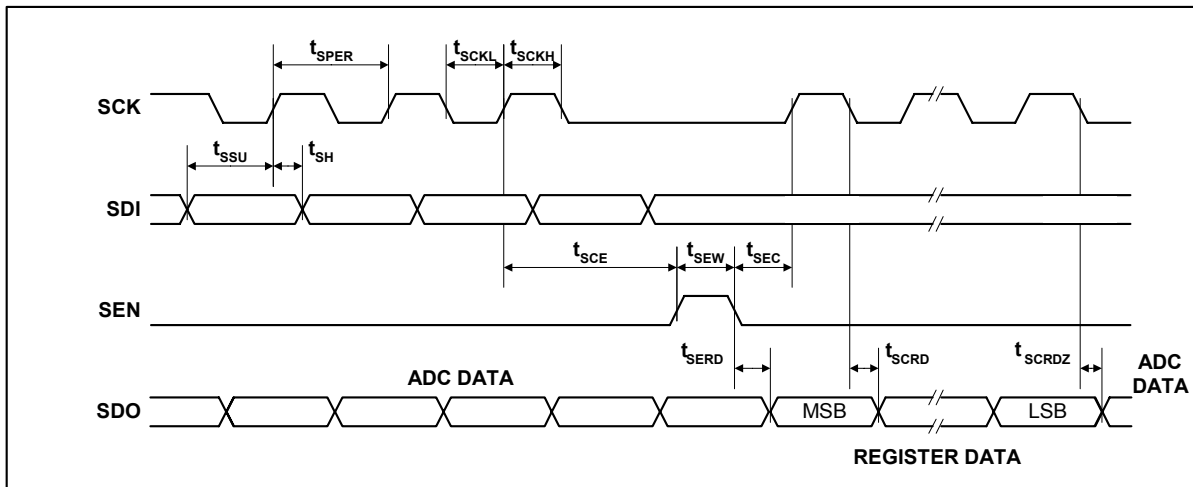


Figure 3 Serial Interface Timing

## Test Conditions

VDD = 5.0V, DVDD = 3.3V, AGND = DGND = 0V,  $T_A = 25^\circ\text{C}$ , MCLK = 24MHz unless otherwise stated.

| PARAMETER                      | SYMBOL     | TEST CONDITIONS | MIN  | TYP | MAX | UNITS |
|--------------------------------|------------|-----------------|------|-----|-----|-------|
| SCK period                     | $t_{SPER}$ |                 | 41.6 |     |     | ns    |
| SCK high                       | $t_{SCKH}$ |                 | 18.8 |     |     | ns    |
| SCK low                        | $t_{SCKL}$ |                 | 18.8 |     |     | ns    |
| SDI set-up time                | $t_{SSU}$  |                 | 6    |     |     | ns    |
| SDI hold time                  | $t_{SH}$   |                 | 6    |     |     | ns    |
| SCK to SEN set-up time         | $t_{SCE}$  |                 | 12   |     |     | ns    |
| SEN to SCK set-up time         | $t_{SEC}$  |                 | 12   |     |     | ns    |
| SEN pulse width                | $t_{SEW}$  |                 | 25   |     |     | ns    |
| SEN low to SDO = Register data | $t_{SERD}$ |                 |      |     | 30  | ns    |
| SCK low to SDO = Register data | $t_{SCRD}$ |                 |      |     | 30  | ns    |
| SCK low to SDO = ADC data      | $t_{SCRZ}$ |                 |      |     | 30  | ns    |

## Note:

- Parameters are measured at 50% of the rising/falling edge

## INTERNAL POWER ON RESET CIRCUIT

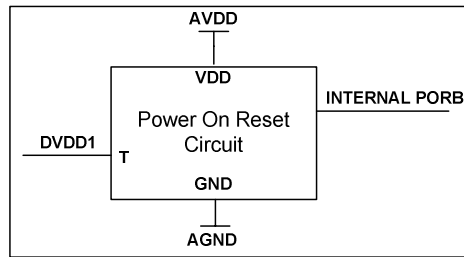


Figure 4 Internal Power On Reset Circuit Schematic

The WM8152 includes an internal Power-On-Reset Circuit, as shown in Figure 4, which is used to reset the digital logic into a default state after power up. The POR circuit is powered from AVDD and monitors DVDD1. It asserts PORB low if AVDD or DVDD1 is below a minimum threshold.

The power supplies can be brought up in any order but is important that either AVDD is brought up and is stable before DVDD comes up or vice versa as shown in Figure 5 and Figure 6.

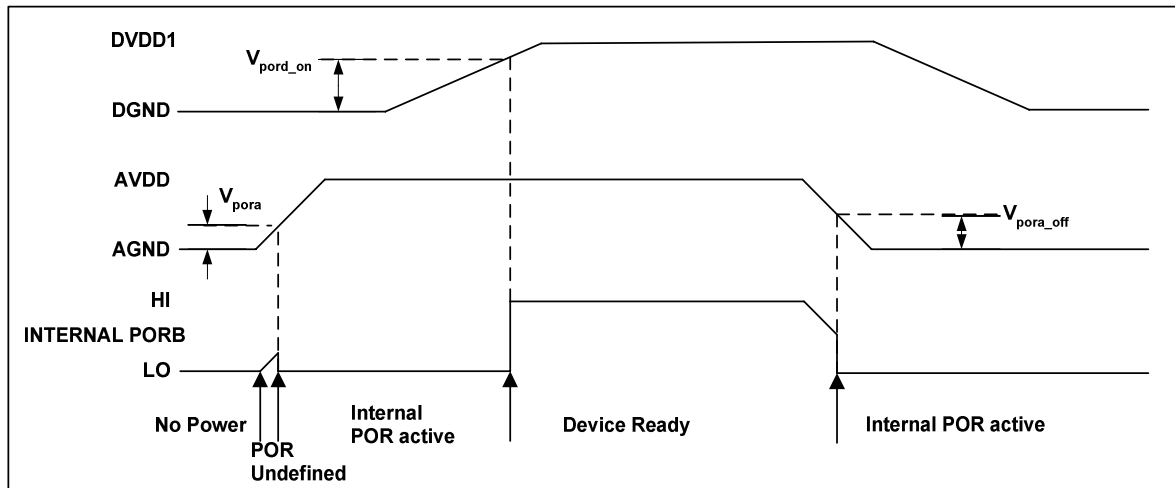


Figure 5 Typical Power up Sequence where AVDD is Powered before DVDD1

Figure 5 shows a typical power-up sequence where AVDD is powered up first. When AVDD rises above the minimum threshold,  $V_{pora}$ , there is enough voltage for the circuit to guarantee PORB is asserted low and the chip is held in reset. In this condition, all writes to the control interface are ignored. Now AVDD is at full supply level. Next DVDD1 rises to  $V_{pord\_on}$  and PORB is released high and all registers are in their default state and writes to the control interface may take place.

On power down, where AVDD falls first, PORB is asserted low whenever AVDD drops below the minimum threshold  $V_{pora\_off}$ .

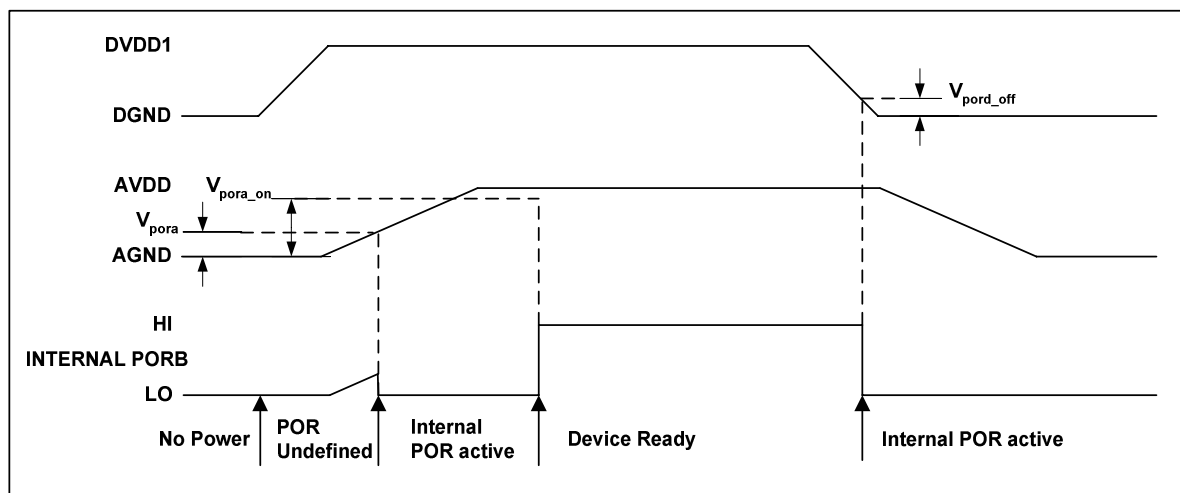


Figure 6 Typical Power up Sequence where DVDD1 is Powered before AVDD

Figure 6 shows a typical power-up sequence where DVDD1 is powered up first. It is assumed that DVDD1 is already up to specified operating voltage. When AVDD goes above the minimum threshold,  $V_{pora}$ , there is enough voltage for the circuit to guarantee PORB is asserted low and the chip is held in reset. In this condition, all writes to the control interface are ignored. When AVDD rises to  $V_{pora\_on}$ , PORB is released high and all registers are in their default state and writes to the control interface may take place.

On power down, where DVDD1 falls first, PORB is asserted low whenever DVDD1 drops below the minimum threshold  $V_{pord\_off}$ .

| SYMBOL          | TYP | UNIT |
|-----------------|-----|------|
| $V_{pora}$      | 0.6 | V    |
| $V_{pora\_on}$  | 1.2 | V    |
| $V_{pora\_off}$ | 0.6 | V    |
| $V_{pord\_on}$  | 0.7 | V    |
| $V_{pord\_off}$ | 0.6 | V    |

Table 1 Typical POR Operation (typical values, not tested)

**Note:** It is recommended that every time power is cycled to the WM8199 a software reset is written to the software register to ensure that the contents of the control registers are at their default values before carrying out any other register writes.

## DEVICE DESCRIPTION

### INTRODUCTION

A block diagram of the device showing the signal path is presented on Page 1.

The WM8152 processes the sampled video signal on VINP with respect to the video reset level or an internally/externally generated reference level through the analogue processing channel.

This processing channel consists of an Input Sampling block with optional Reset Level Clamping (RLC) and Correlated Double Sampling (CDS), an 8-bit programmable offset DAC and an 8-bit Programmable Gain Amplifier (PGA).

The ADC then converts each resulting analogue signal to a 16-bit digital word. The digital output from the ADC is presented on a 4-bit wide bus.

On-chip control registers determine the configuration of the device, including the offsets and gains applied to each channel. These registers are programmable via a serial interface.

### INPUT SAMPLING

The WM8152 has a single analogue processing channel and ADC which can be used in a flexible manner to process both monochrome and line-by-line colour inputs.

**Monochrome:** VINP is sampled, processed by the analogue channel, and converted by the ADC. The same offset DAC and PGA register values are always applied.

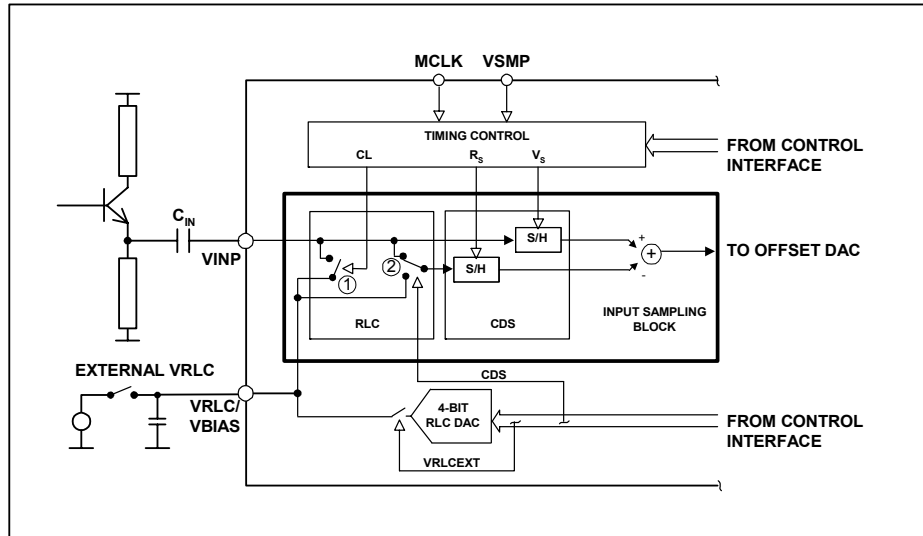
**Colour Line-by-Line:** VINP is sampled and processing by the analogue channel before being converted by the ADC. The gains and offset register values applied to the PGA and offset DAC can be switched between the independent Red, Green and Blue digital registers (e.g. Red → Green → Blue → Red...) at the start of each line in order to facilitate line-by-line colour operation. The INTM[1:0] bits determine which register contents are applied (see Table 2) to the PGA and offset DAC. By using the INTM[1:0] bits to select the desired register values only one register write is required at the start of each new colour line.

### RESET LEVEL CLAMPING (RLC)

To ensure that the signal applied to the WM8152 VINP pin lies within the valid input range (0V to VDD) the CCD output signal is usually level shifted by coupling through a capacitor, C<sub>IN</sub>. When active, the RLC circuit clamps the WM8152 side of this capacitor to a suitable voltage during the CCD reset period. The RLCINT register bit controls is used to activate the Reset Level Clamp circuit.

A typical input configuration is shown in Figure 7. The Timing Control Block generates an internal clamp pulse, CL, from MCLK and VSMP (when RLCINT is high). When CL is active the voltage on the WM8152 side of C<sub>IN</sub>, at VINP, is forced to the VRLC/VBIAS voltage (V<sub>VRLC</sub>) by closing switch 1. When the CL pulse turns off, switch 1 opens the voltage at VINP initially remains at V<sub>VRLC</sub> but any subsequent variation in sensor voltage (from reset to video level) will couple through C<sub>IN</sub> to VINP.

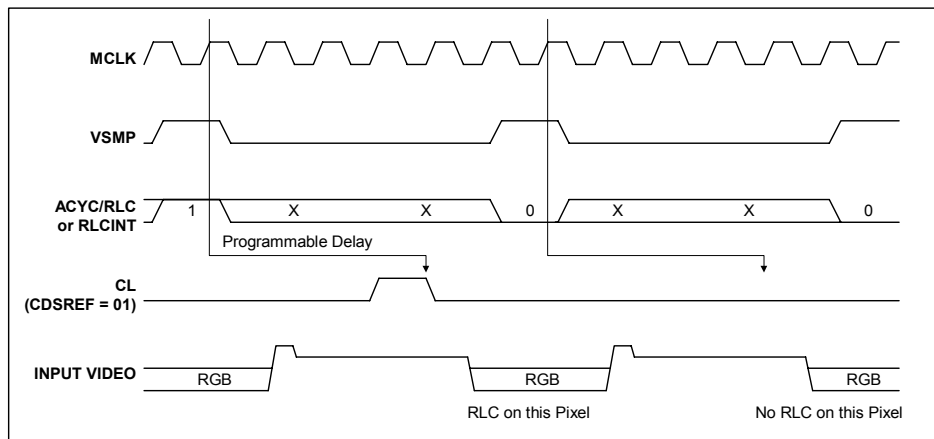
RLC is compatible with both CDS and non-CDS operating modes, as selected by switch 2. Refer to the CDS/non-CDS Processing section.



**Figure 7 Reset Level Clamping and CDS Circuitry**

Reset Level Clamping is controlled by register bit RLCINT. Figure 8 illustrates the effect of the RLCINT bit for a typical CCD waveform, with CL applied during the reset period.

The RLCINT register bit is sampled on the positive edge of MCLK that occurs during each VSMP pulse. The sampled level, high (or low) controls the presence (or absence) of the internal CL pulse on the next reset level. The position of CL can be adjusted by using control bits CDSREF[1:0] (Figure 9).



**Figure 8 Relationship of RLCINT, MCLK and VSMP to Internal Clamp Pulse, CL**

The VRLC/VBIAS pin can be driven internally by a 4-bit DAC (RLCDAC) by writing to control bits RLCV[3:0]. The RLCDAC range and step size may be increased by writing to control bit RLCDACRNG. Alternatively, the VRLC/VBIAS pin can be driven externally by writing to control bit VRLCEXT to disable the RLCDAC and then applying a d.c. voltage to the pin.

## CDS/NON-CDS PROCESSING

For CCD type input signals, the signal may be processed using CDS, which will remove pixel-by-pixel common mode noise. For CDS operation, the video level is processed with respect to the video reset level, regardless of whether RLC has been performed. To sample using CDS, control bit CDS must be set to 1 (default), this sets switch 2 into the position shown in (Figure 7) and causes the signal reference to come from the video reset level. The time at which the reset level is sampled, by clock  $R_s/CL$ , is adjustable by programming control bits CDSREF[1:0], as shown in Figure 9.

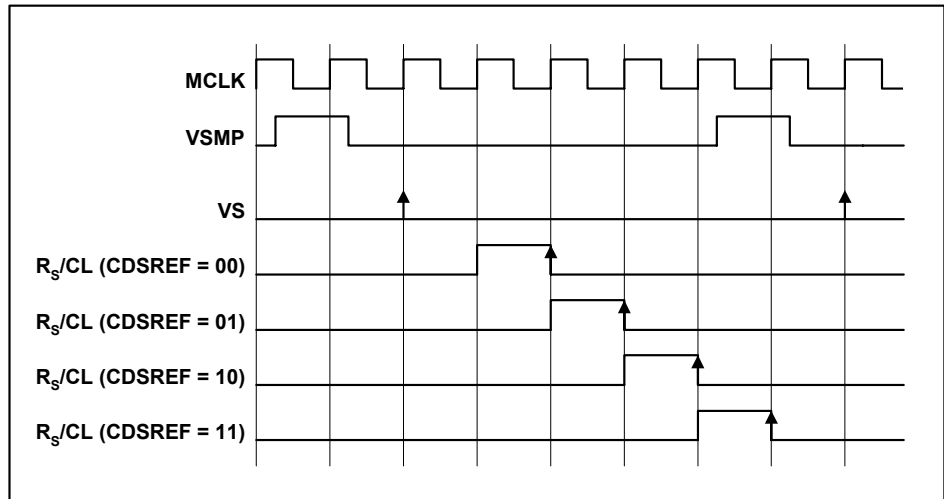


Figure 9 Reset Sample and Clamp Timing

For CIS type sensor signals, non-CDS processing is used. In this case, the video level is processed with respect to the voltage on pin VRLC/VBIAS, generated internally or externally as described above. The VRLC/VBIAS pin is sampled by  $R_s$  at the same time as  $V_s$  samples the video level in this mode; non-CDS processing is achieved by setting switch 2 in the lower position, CDS = 0.

### OFFSET ADJUST AND PROGRAMMABLE GAIN

The output from the CDS block is a differential signal, which is added to the output of an 8-bit Offset DAC to compensate for offsets and then amplified by an 8-bit PGA. The gain and offset can be set for each of three colours by writing to control bits DACx[7:0] and PGAx[7:0] (where x can be R, G or B).

In colour line-by-line mode the gain and offset coefficients that are applied to the PGA and offset DAC can be multiplexed by control of the INTM[1:0] bits as shown in Table 2.

| INTM[1:0] | DESCRIPTION   |
|-----------|---|
| 00        | Red offset and gain registers are applied to offset DAC and PGA (DACR[7:0] and PGAR[7:0]) |
| 01        | Green offset and gain registers applied to offset DAC and PGA (DACG[7:0] and PGAG[7:0])   |
| 10        | Blue offset and gain registers applied to offset DAC and PGA (DACB[7:0] and PGAB[7:0])    |
| 11        | Reserved.   |

Table 2 Offset DAC and PGA Register Control

The gain characteristic of the WM8152 PGA is shown in Figure 10. Figure 11 shows the maximum input voltage (at VINP) that can be gained up to match the ADC full-scale input range (2.5V).

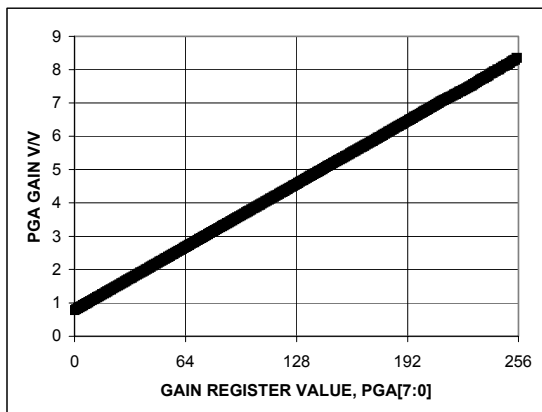


Figure 10 PGA Gain Characteristic

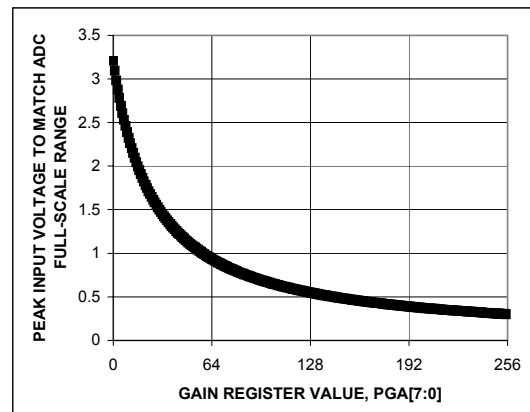


Figure 11 Peak Input Voltage to Match ADC Full-scale

## ADC INPUT BLACK LEVEL ADJUST

The output from the PGA should be offset to match the full-scale range of the ADC ( $V_{FS} = 2.5V$ ). For negative-going input video signals, a black level (zero differential) output from the PGA should be offset to the top of the ADC range by setting register bits PGAFS[1:0]=10. For positive going input signal the black level should be offset to the bottom of the ADC range by setting PGAFS[1:0]=11. Bipolar input video is accommodated by setting PGAFS[1:0]=00 or PGAFS[1:0]=01 (zero differential input voltage gives mid-range ADC output).

## OVERALL SIGNAL FLOW SUMMARY

Figure 12 represents the processing of the video signal through the WM8152.

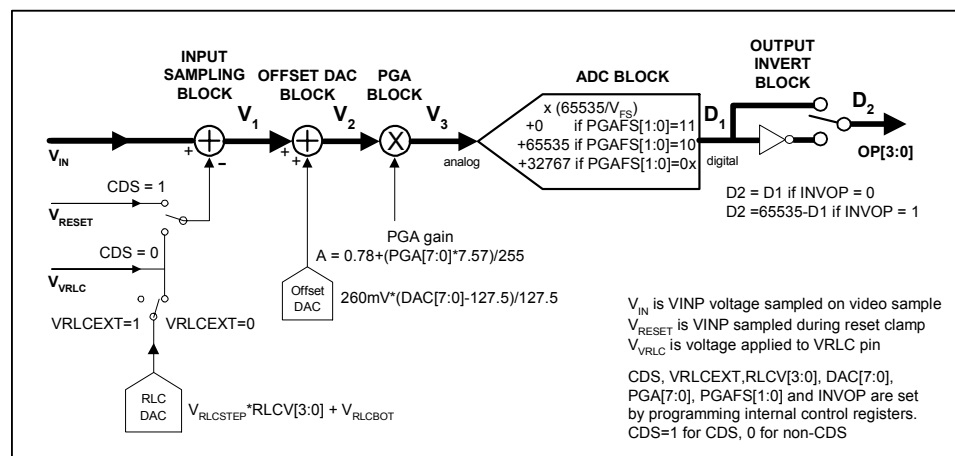


Figure 12 Overall Signal Flow

The **INPUT SAMPLING BLOCK** produces an effective input voltage  $V_1$ . For CDS, this is the difference between the input video level  $V_{IN}$  and the input reset level  $V_{RESET}$ . For non-CDS this is the difference between the input video level  $V_{IN}$  and the voltage on the VRLC/VBIAS pin,  $V_{VRLC}$ , optionally set via the RLC DAC.

The **OFFSET DAC BLOCK** then adds the amount of fine offset adjustment required to move the black level of the input signal towards 0V, producing  $V_2$ .

The **PGA BLOCK** then amplifies the white level of the input signal to maximise the ADC range, outputting voltage  $V_3$ .

The **ADC BLOCK** then converts the analogue signal,  $V_3$ , to a 16-bit unsigned digital output,  $D_1$ .

The digital output is then inverted, if required, through the **OUTPUT INVERT BLOCK** to produce  $D_2$ .

## CALCULATING OUTPUT FOR ANY GIVEN INPUT

The following equations describe the processing of the video and reset level signals through the WM8152. The values of  $V_1$ ,  $V_2$  and  $V_3$  are often calculated in reverse order during device setup. The PGA value is written first to set the input Voltage range, the Offset DAC is then adjusted to compensate for any Black/Reset level offsets and finally the RLC DAC value is set to position the reset level correctly during operation.

**Note:** Refer to WAN0123 for detailed information on device calibration procedures.

**INPUT SAMPLING BLOCK: INPUT SAMPLING AND REFERENCING**

If CDS = 1, (i.e. CDS operation) the previously sampled reset level,  $V_{RESET}$ , is subtracted from the input video.

$$V_1 = V_{IN} - V_{RESET} \dots\dots\dots \text{Eqn. 1}$$

If CDS = 0, (non-CDS operation) the simultaneously sampled voltage on pin VR<sub>LC</sub> is subtracted instead.

$$V_1 = V_{IN} - V_{VRLC} \dots\dots\dots \text{Eqn. 2}$$

If VRLCEXT = 1,  $V_{VRLC}$  is an externally applied voltage on pin VR<sub>LC</sub>/VBIAS.

If VRLCEXT = 0,  $V_{VRLC}$  is the output from the internal RLC DAC.

$$V_{VRLC} = (V_{RLCSTEP} * RLCV[3:0]) + V_{RLCBOT} \dots\dots\dots \text{Eqn. 3}$$

$V_{RLCSTEP}$  is the step size of the RLC DAC and  $V_{RLCBOT}$  is the minimum output of the RLC DAC.

**OFFSET DAC BLOCK: OFFSET (BLACK-LEVEL) ADJUST**

The resultant signal  $V_1$  is added to the Offset DAC output.

$$V_2 = V_1 + \{260\text{mV} * (\text{DAC}[7:0] - 127.5)\} / 127.5 \dots\dots\dots \text{Eqn. 4}$$

**PGA NODE: GAIN ADJUST**

The signal is then multiplied by the PGA gain,

$$V_3 = V_2 * [0.78 + (\text{PGA}[7:0] * 7.57) / 255] \dots\dots\dots \text{Eqn. 5}$$

**ADC BLOCK: ANALOGUE-DIGITAL CONVERSION**

The analogue signal is then converted to a 16-bit unsigned number, with input range configured by PGAFS[1:0].

$$D_1[15:0] = \text{INT}\{ (V_3 / V_{FS}) * 65535\} + 32767 \quad \text{PGAFS}[1:0] = 00 \text{ or } 01 \dots\dots \text{Eqn. 6}$$

$$D_1[15:0] = \text{INT}\{ (V_3 / V_{FS}) * 65535\} \quad \text{PGAFS}[1:0] = 11 \dots\dots\dots \text{Eqn. 7}$$

$$D_1[15:0] = \text{INT}\{ (V_3 / V_{FS}) * 65535\} + 65535 \quad \text{PGAFS}[1:0] = 10 \dots\dots\dots \text{Eqn. 8}$$

where the ADC full-scale range,  $V_{FS} = 2.5\text{V}$

$$\text{if } D_1[15:0] < 0 \quad D_1[15:0] = 0$$

$$\text{if } D_1[15:0] > 65535 \quad D_1[15:0] = 65535$$

**OUTPUT INVERT BLOCK: POLARITY ADJUST**

The polarity of the digital output may be inverted by control bit INVOP.

$$D_2[15:0] = D_1[15:0] \quad (\text{INVOP} = 0) \dots\dots\dots \text{Eqn. 9}$$

$$D_2[15:0] = 65535 - D_1[15:0] \quad (\text{INVOP} = 1) \dots\dots\dots \text{Eqn. 10}$$



## OUTPUT DATA FORMAT

The digital data output from the ADC is available to the user in 4-bit wide multiplexed. Latency of valid output data with respect to VSMP is programmable by writing to control bits DEL[1:0]. The latency for each mode is shown in the Operating Mode Timing Diagrams section.

Figure 13 shows the output data formats for Mode 1 and 3 – 6. Figure 14 shows the output data formats for Mode 2. Table 3 summarises the output data obtained for each format.

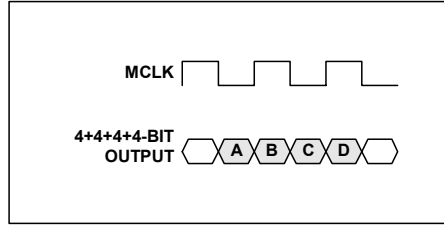


Figure 13 Output Data Formats  
(Modes 1, 3, 4)

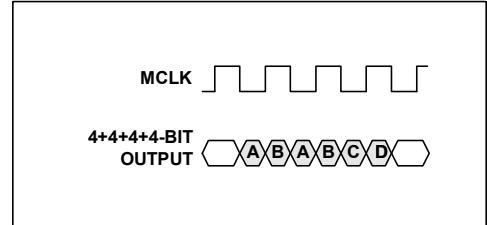


Figure 14 Output Data Formats  
(Mode 2)

| OUTPUT FORMAT        | OUTPUT PINS | OUTPUT   |
|----------------------|-------------|--|
| 4+4+4+4-bit (nibble) | OP[3:0]     | A = d15, d14, d13, d12<br>B = d11, d10, d9, d8<br>C = d7, d6, d5, d4<br>D = d3, d2, d1, d0 |

Table 3 Details of Output Data Shown in Figure 13 and Figure 14

## CONTROL INTERFACE

The internal control registers are programmable via the serial digital control interface. The register contents can be read back via the serial interface on pin OP[3]/SDO.

**Note:** It is recommended that a software reset is carried out after the power-up sequence, before writing to any other register. This ensures that all registers are set to their default values (as shown in Table 5).

### SERIAL INTERFACE: REGISTER WRITE

Figure 15 shows register writing in serial mode. Three pins, SCK, SDI and SEN are used. A six-bit address (a5, 0, a3, a2, a1, a0) is clocked in through SDI, MSB first, followed by an eight-bit data word (b7, b6, b5, b4, b3, b2, b1, b0), also MSB first. Each bit is latched on the rising edge of SCK. When the data has been shifted into the device, a pulse is applied to SEN to transfer the data to the appropriate internal register. Note all valid registers have address bit a4 equal to 0 in write mode.

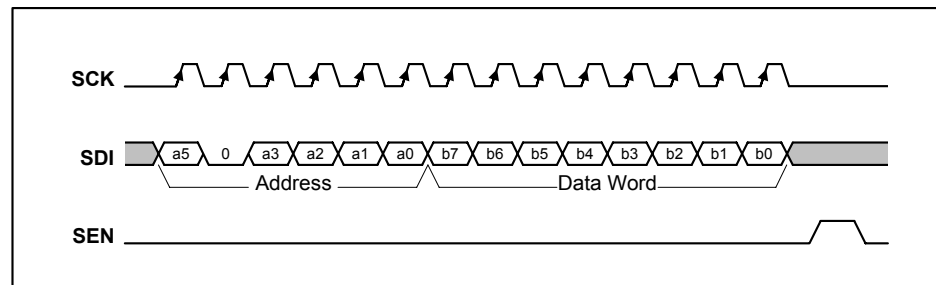


Figure 15 Serial Interface Register Write

A software reset is carried out by writing to Address "000100" with any value of data, (i.e. Data Word = XXXXXXXX).

### SERIAL INTERFACE: REGISTER READ-BACK

Figure 16 shows register read-back in serial mode. Read-back is initiated by writing to the serial bus as described above but with address bit a4 set to 1, followed by an 8-bit dummy data word. Writing address (a5, 1, a3, a2, a1, a0) will cause the contents (d7, d6, d5, d4, d3, d2, d1, d0) of corresponding register (a5, 0, a3, a2, a1, a0) to be output MSB first on pin SDO (on the falling edge of SCK). Note that pin SDO is shared with an output pin, OP[3], so no data can be read when reading from a register. The next word may be read in to SDI while the previous word is still being output on SDO.

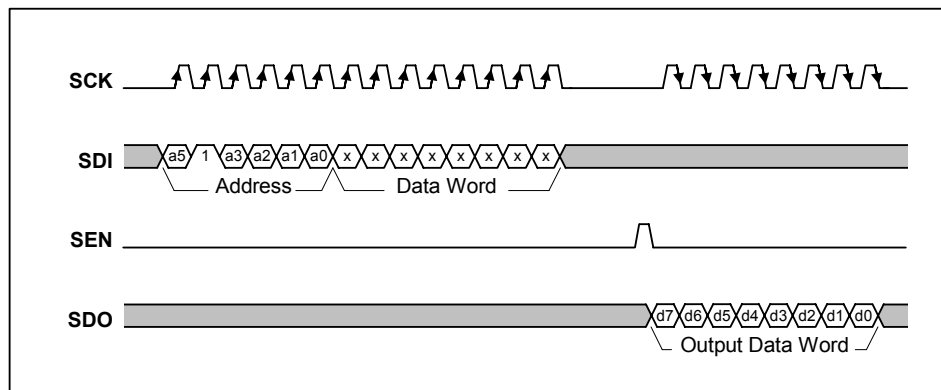


Figure 16 Serial Interface Register Read-back

## TIMING REQUIREMENTS

To use this device a master clock (MCLK) of up to 24MHz and a per-pixel synchronisation clock (VSMP) of up to 12MHz are required. These clocks drive a timing control block, which produces internal signals to control the sampling of the video signal. MCLK to VSMP ratios and maximum sample rates for the various modes are shown in Table 4.

### PROGRAMMABLE VSMP DETECT CIRCUIT

The VSMP input is used to determine the sampling point and frequency of the WM8152. Under normal operation a pulse of 1 MCLK period should be applied to VSMP at the desired sampling frequency (as shown in the Operating Mode Timing Diagrams) and the input sample will be taken on the first rising MCLK edge after VSMP has gone low. However, in certain applications such a signal may not be readily available. The programmable VSMP detect circuit in the WM8152 allows the sampling point to be derived from any signal of the correct frequency, such as a CCD shift register clock, when applied to the VSMP pin.

When enabled, by setting the VSMPDET control bit, the circuit detects either a rising or falling edge (determined by POSNNEG control bit) on the VSMP input pin and generates an internal VSMP pulse. This pulse can optionally be delayed by a number of MCLK periods, specified by the VDEL[2:0] bits. Figure 17 shows the internal VSMP pulses that can be generated by this circuit for a typical clock input signal. The internal VSMP pulse is then applied to the timing control block in place of the normal VSMP pulse provided from the input pin. The sampling point then occurs on the first rising MCLK edge after this internal VSMP pulse, as shown in the Operating Mode Timing Diagrams.

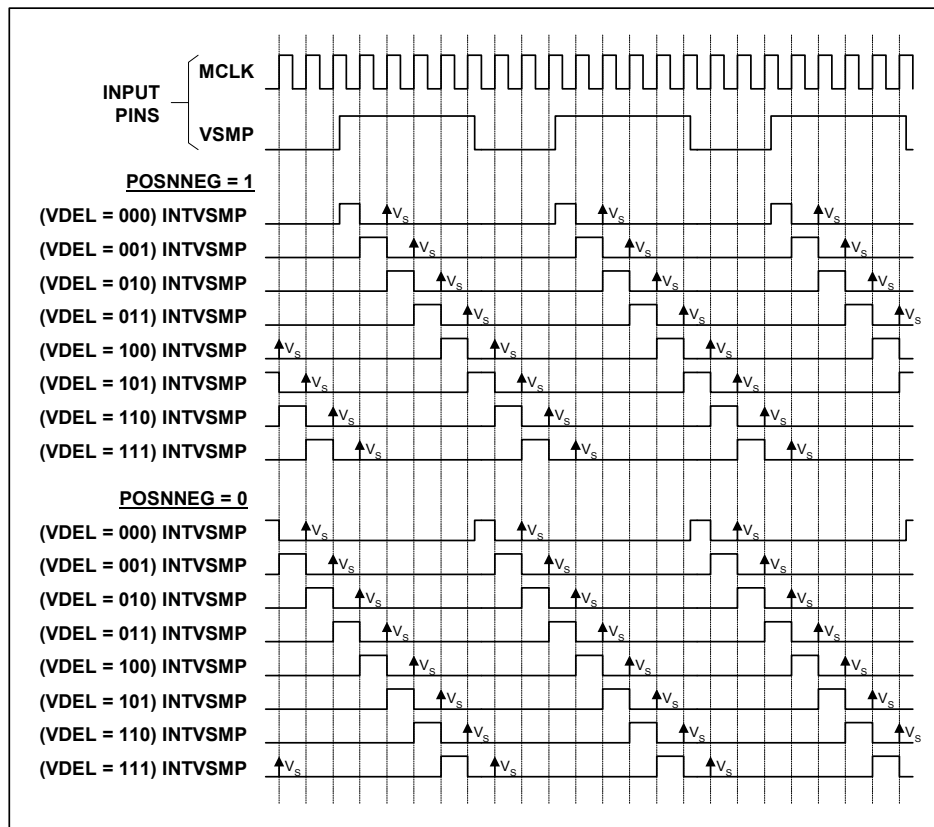


Figure 17 Internal VSMP Pulses Generated by Programmable VSMP Detect Circuit

## REFERENCES

The ADC reference voltages are derived from an internal bandgap reference, and buffered to pins VRT and VRB, where they must be decoupled to ground. Pin VRX is driven by a similar buffer, and also requires decoupling. The output buffer from the RLCDAC also requires decoupling at pin VRXC/VBIAS when this is configured as an output.

## POWER SUPPLY

The WM8152 can run from a 5V single supply or from split 5V (core) and 3.3V (digital interface) supplies.

## POWER MANAGEMENT

Power management for the device is performed via the Control Interface. The device can be powered on or off completely by setting the EN bit low.

All the internal registers maintain their previously programmed value in power down mode and the Control Interface inputs remain active.

## OPERATING MODES

Table 4 summarises the most commonly used modes, the clock waveforms required and the register contents required for CDS and non-CDS operation.

| MODE | DESCRIPTION                                      | CDS AVAILABLE | MAX SAMPLE RATE | TIMING REQUIREMENTS                                | REGISTER CONTENTS WITH CDS                                       | REGISTER CONTENTS WITHOUT CDS |
|------|--|---------------|-----------------|--|--|-------------------------------|
| 1    | Monochrome/<br>Colour Line-by-Line               | Yes           | 4MSPS           | MCLK max = 24MHz<br>MCLK:VSMP ratio is 6:1         | SetReg1: 0F(hex)   | SetReg1: 0D(hex)              |
| 2    | Fast Monochrome/<br>Colour Line-by-Line          | Yes           | 8MSPS           | MCLK max = 24MHz<br>MCLK:VSMP ratio is 3:1         | Identical to Mode 1 plus SetReg3: bits 5:4 must be set to 0(hex) | Identical to Mode 1           |
| 3    | Maximum speed Monochrome/<br>Colour Line-by-Line | No            | 12MSPS          | MCLK max = 24MHz<br>MCLK:VSMP ratio is 2:1         | CDS not possible   | SetReg1: 4D(hex)              |
| 4    | Slow Monochrome/<br>Colour Line-by-Line          | Yes           | 3MSPS           | MCLK max = 24MHz<br>MCLK:VSMP ratio is 2n:1, n ≥ 4 | Identical to Mode 1  | Identical to Mode 1           |

Table 4 WM8152 Operating Modes

**OPERATING MODE TIMING DIAGRAMS**

The following diagrams show 4-bit multiplexed output data and MCLK, VSMP and input video requirements for operation of the most commonly used modes as shown in Table 4. The diagrams are identical for both CDS and non-CDS operation.

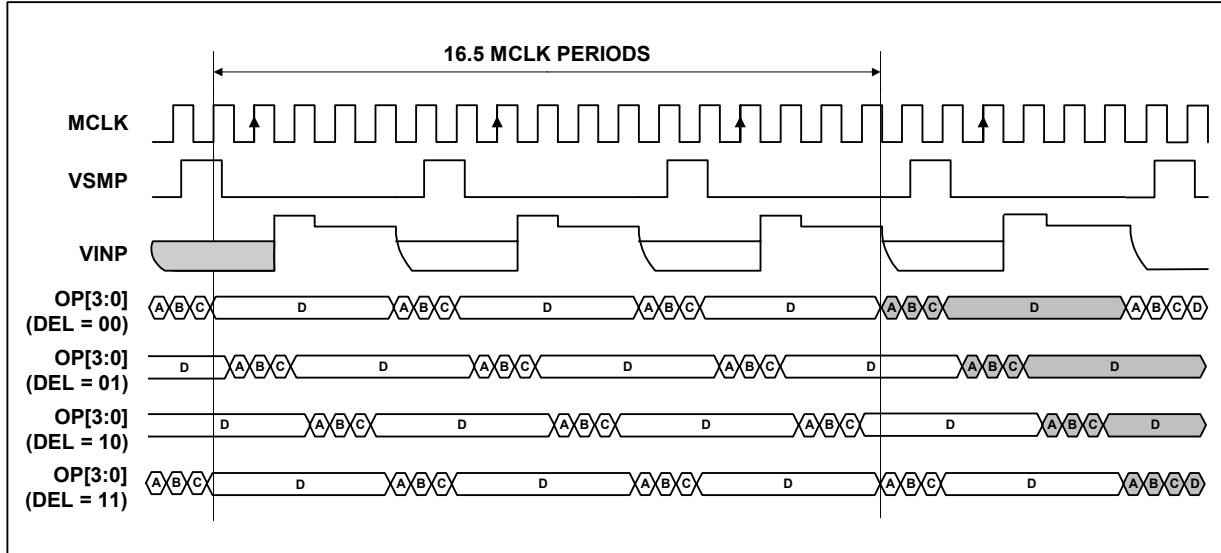


Figure 18 Mode 1 Operation

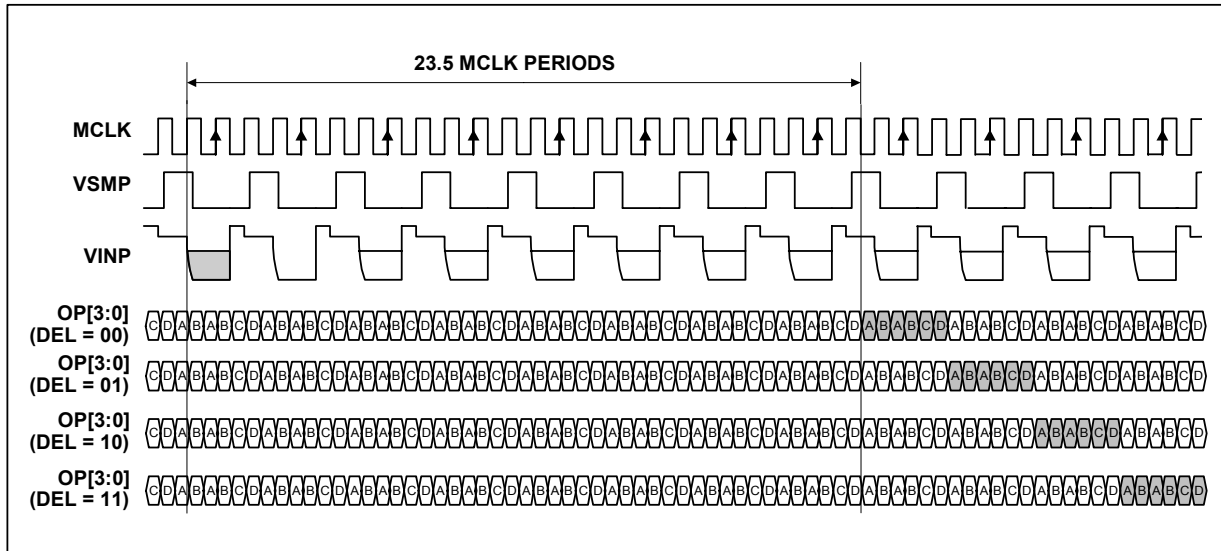


Figure 19 Mode 2 Operation

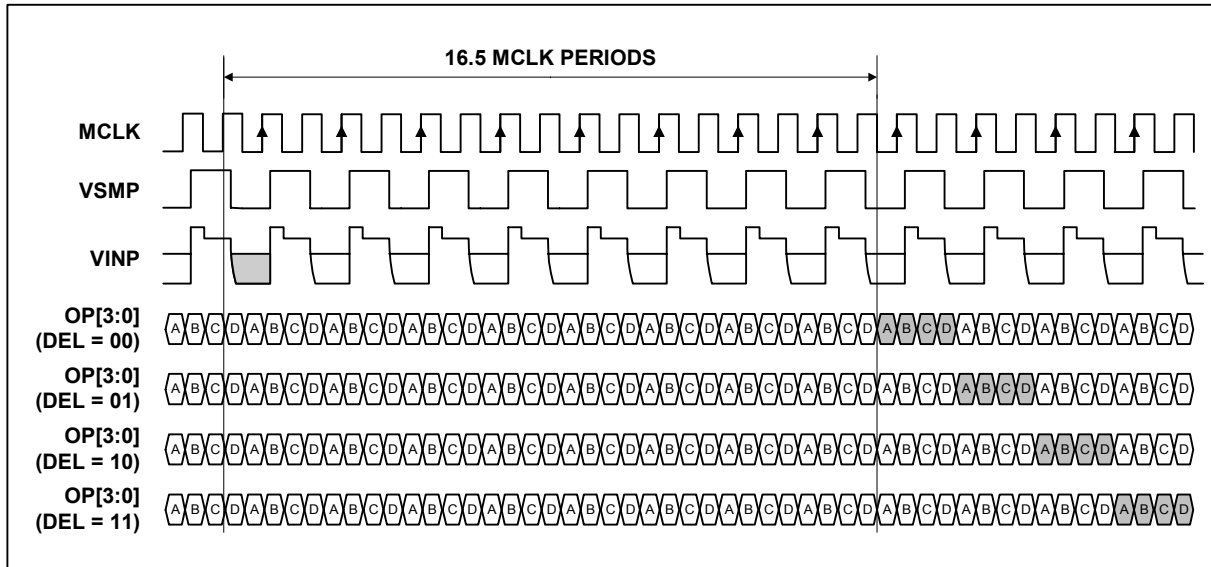


Figure 20 Mode 3 Operation

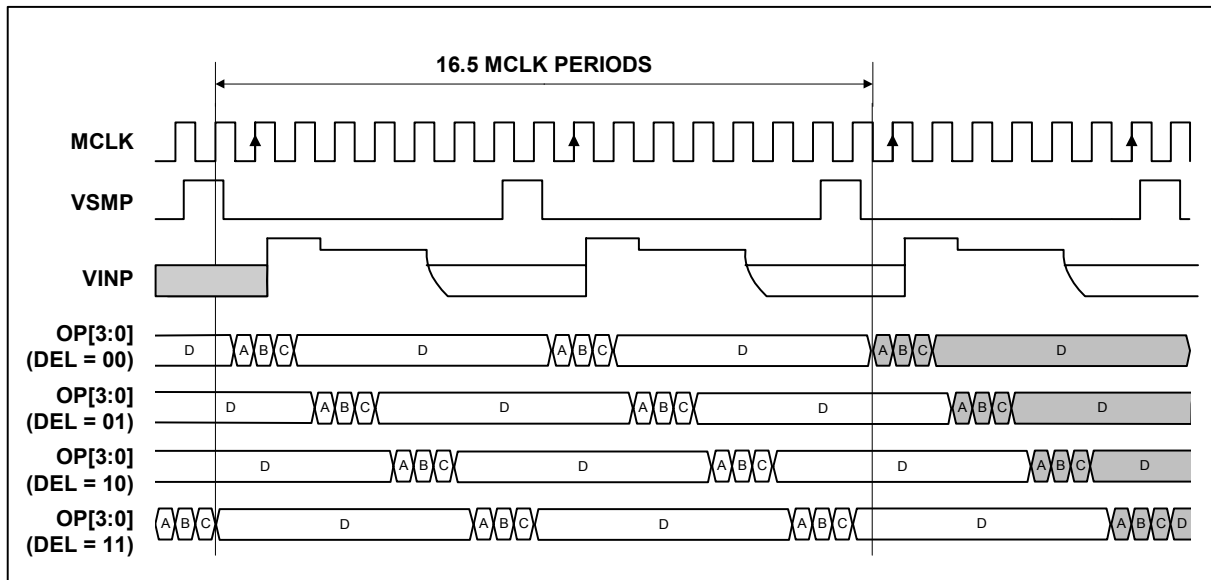


Figure 21 Mode 4 Operation (MCLK:VSMP Ratio = 8:1)

## DEVICE CONFIGURATION

### REGISTER MAP

The following table describes the location of each control bit used to determine the operation of the WM8152. The register map is programmed by writing the required codes to the appropriate addresses via the serial interface.

| ADDRESS<br><a5:a0> | DESCRIPTION       | DEF<br>(hex) | RW | BIT     |         |            |            |         |         |         |         |
|--------------------|-------------------|--------------|----|---------|---------|------------|------------|---------|---------|---------|---------|
|                    |                   |              |    | b7      | b6      | b5         | b4         | b3      | b2      | b1      | b0      |
| 000001             | Setup Reg 1       | 0F           | RW | 0       | MODE3   | PGAFS[1]   | PGAFS[0]   | 1       | 1       | CDS     | EN      |
| 000010             | Setup Reg 2       | 23           | RW | DEL[1]  | DEL[0]  | RLCDACRNG  | 0          | VRLCEXT | INVOP   | 1       | 1       |
| 000011             | Setup Reg 3       | 1F           | RW | 0       | 0       | CDSREF [1] | CDSREF [0] | RLCV[3] | RLCV[2] | RLCV[1] | RLCV[0] |
| 000100             | Software Reset    | 00           | W  |         |         |            |            |         |         |         |         |
| 000110             | Setup Reg 4       | 05           | RW | 0       | 0       | INTM[1]    | INTM[0]    | RLCINT  | 1       | 0       | 1       |
| 000111             | Revision Number   | 41           | R  | 0       | 1       | 0          | 0          | 0       | 0       | 0       | 1       |
| 001000             | Setup Reg 5       | 00           | RW | 0       | 0       | 0          | POSNNEG    | VDEL[2] | VDEL[1] | VDEL[0] | VSMPDET |
| 001001             | Test Reg 1        | 00           | RW | TCLK    | 0       | 0          | 0          | 0       | 0       | 0       | 0       |
| 001010             | Reserved          | 00           | RW | 0       | 0       | 0          | 0          | 0       | 0       | 0       | 0       |
| 001011             | Reserved          | 00           | RW | 0       | 0       | 0          | 0          | 0       | 0       | 0       | 0       |
| 001100             | Reserved          | 00           | RW | 0       | 0       | 0          | 0          | 0       | 0       | 0       | 0       |
| 100000             | DAC Value (Red)   | 80           | RW | DACR[7] | DACR[6] | DACR[5]    | DACR[4]    | DACR[3] | DACR[2] | DACR[1] | DACR[0] |
| 100001             | DAC Value (Green) | 80           | RW | DACG[7] | DACG[6] | DACG[5]    | DACG[4]    | DACG[3] | DACG[2] | DACG[1] | DACG[0] |
| 100010             | DAC Value (Blue)  | 80           | RW | DACB[7] | DACB[6] | DACB[5]    | DACB[4]    | DACB[3] | DACB[2] | DACB[1] | DACB[0] |
| 100011             | DAC Value (RGB)   | 80           | W  | DAC[7]  | DAC[6]  | DAC[5]     | DAC[4]     | DAC[3]  | DAC[2]  | DAC[1]  | DAC[0]  |
| 101000             | PGA Gain (Red)    | 00           | RW | PGAR[7] | PGAR[6] | PGAR[5]    | PGAR[4]    | PGAR[3] | PGAR[2] | PGAR[1] | PGAR[0] |
| 101001             | PGA Gain (Green)  | 00           | RW | PGAG[7] | PGAG[6] | PGAG[5]    | PGAG[4]    | PGAG[3] | PGAG[2] | PGAG[1] | PGAG[0] |
| 101010             | PGA Gain (Blue)   | 00           | RW | PGAB[7] | PGAB[6] | PGAB[5]    | PGAB[4]    | PGAB[3] | PGAB[2] | PGAB[1] | PGAB[0] |
| 101011             | PGA Gain (RGB)    | 00           | W  | PGA[7]  | PGA[6]  | PGA[5]     | PGA[4]     | PGA[3]  | PGA[2]  | PGA[1]  | PGA[0]  |

**Table 5 Register Map**

## REGISTER MAP DESCRIPTION

The following table describes the function of each of the control bits shown in Table 5.

| REGISTER         | BIT NO | BIT NAME(S) | DEFAULT | DESCRIPTION   |
|------------------|--------|-------------|---------|---|
| Setup Register 1 | 0      | EN          | 1       | 0 = complete power down, 1 = fully active.  |
|                  | 1      | CDS         | 1       | Select correlated double sampling mode: 0 = single ended mode, 1 = CDS mode.  |
|                  | 3:2    | Reserved    | 11      | Must be set to one  |
|                  | 5:4    | PGAFS[1:0]  | 00      | Offsets PGA output to optimise the ADC range for different polarity sensor output signals. Zero differential PGA input signal gives:<br>00 = Zero output (use for bipolar video)<br>01 = Zero output (use for positive going video)<br>10 = Full-scale positive output (use for negative going video)<br>11 = Full-scale negative output (use for positive going video) |
|                  | 6      | MODE3       | 0       | Required when operating in MODE3: 0 = other modes, 1 = MODE3.   |
|                  | 7      | Reserved    | 0       | Must be set to zero   |
| Setup Register 2 | 1:0    | Reserved    | 11      | Must be set to one  |
|                  | 2      | INVOP       | 0       | Digitally inverts the polarity of output data.<br>0 = negative going video gives negative going output,<br>1 = negative-going video gives positive going output data.   |
|                  | 3      | VRLCEXT     | 0       | When set powers down the RLCDAC, changing its output to Hi-Z, allowing VRLC/VBIAS to be externally driven.  |
|                  | 4      | Reserved    | 0       | Must be set to zero   |
|                  | 5      | RLCDACRNG   | 1       | Sets the output range of the RLCDAC.<br>0 = RLCDAC ranges from 0 to VDD (approximately),<br>1 = RLCDAC ranges from 0 to VRT (approximately).  |
|                  | 7:6    | DEL[1:0]    | 00      | Sets the output latency in ADC clock periods.<br>1 ADC clock period = 2 MCLK periods except in Mode 2 where 1 ADC clock period = 3 MCLK periods.<br>00 = Minimum latency<br>01 = Delay by one ADC clock period<br>10 = Delay by two ADC clock periods<br>11 = Delay by three ADC clock periods  |
| Setup Register 3 | 3:0    | RLCV[3:0]   | 1111    | Controls RLCDAC driving VRLC pin to define single ended signal reference voltage or Reset Level Clamp voltage. See Electrical Characteristics section for ranges.   |
|                  | 5:4    | CDSREF[1:0] | 01      | CDS mode reset timing adjust.<br>00 = Advance 1 MCLK period<br>01 = Normal<br>10 = Retard 1 MCLK period<br>11 = Retard 2 MCLK periods   |
|                  | 7:6    | Reserved    | 00      | Must be set to zero   |
| Software Reset   |        |             |         | Any write to Software Reset causes all cells to be reset.<br>It is recommended that a software reset be performed after a power-up before any other register writes.  |
| Setup Register 4 | 2:0    | Reserved    | 101     | Must be set to 101  |
|                  | 3      | RLCINT      | 0       | This bit is used to determine whether Reset Level Clamping is enabled.<br>0 = RLC disabled, 1 = RLC enabled.  |
|                  | 5:4    | INTM[1:0]   | 00      | Colour selection bits used in internal modes.<br>00 = Red, 01 = Green, 10 = Blue and 11 = Reserved.<br>See Table 2 for details.   |
|                  | 7:6    | Reserved    | 00      | Must be set to zero   |



| REGISTER           | BIT NO | BIT NAME(S)        | DEFAULT  | DESCRIPTION   |               |                    |
|--------------------|--------|--------------------|----------|---|---------------|--------------------|
| Setup Register 5   | 0      | VSMPDET            | 0        | 0 = Normal operation, signal on VSMP input pin is applied directly to Timing Control block.<br>1 = Programmable VSMP detect circuit is enabled. An internal synchronisation pulse is generated from signal applied to VSMP input pin and is applied to Timing Control block.  |               |                    |
|                    | 3:1    | VDEL[2:0]          | 000      | When VSMPDET = 0 these bits have no effect.<br>When VSMPDET = 1 these bits set a programmable delay from the detected edge of the signal applied to the VSMP pin. The internally generated pulse is delayed by VDEL MCLK periods from the detected edge.<br>See Figure 17, Internal VSMP Pulses Generated for details.                                  |               |                    |
|                    | 4      | POSNEG             | 0        | When VSMPDET = 0 this bit has no effect.<br>When VSMPDET = 1 this bit controls whether positive or negative edges are detected:<br>0 = Negative edge on VSMP pin is detected and used to generate internal timing pulse.<br>1 = Positive edge on VSMP pin is detected and used to generate internal timing pulse.<br>See Figure 17 for further details. |               |                    |
|                    | 7:5    | Reserved           | 000      | Must be set to zero   |               |                    |
| Test Register 1    | 7      | TCLK               | 0        | 0 = Normal Operation, OP[3:0] output ADC data.<br>1 = Internal Clock Test Mode. This allows internal timing signals to be multiplexed onto the OP[3:0] pins as follows.   |               |                    |
|                    |        |                    |          | <b>PIN</b>  | <b>TCLK=0</b> | <b>TCLK=1</b>      |
|                    |        |                    |          | OP[3]   | OP[3]         | INTVSMP            |
|                    |        |                    |          | OP[2]   | OP[2]         | Video sample clock |
|                    |        |                    |          | OP[1]   | OP[1]         | ADC clock          |
| OP[0]              | OP[0]  | Reset sample clock |          |   |               |                    |
| Offset DAC (Red)   | 7:0    | DACR[7:0]          | 10000000 | Red channel offset DAC value. Used under control of the INTM[1:0] control bits.   |               |                    |
| Offset DAC (Green) | 7:0    | DACG[7:0]          | 10000000 | Green channel offset DAC value. Used under control of the INTM[1:0] control bits.   |               |                    |
| Offset DAC (Blue)  | 7:0    | DACB[7:0]          | 10000000 | Blue channel offset DAC value. Used under control of the INTM[1:0] control bits.  |               |                    |
| Offset DAC (RGB)   | 7:0    | DAC[7:0]           |          | A write to this register location causes the red, green and blue offset DAC registers to be overwritten by the new value  |               |                    |
| PGA gain (Red)     | 7:0    | PGAR[7:0]          | 00000000 | Determines the gain of the red channel PGA according to the equation:<br>Red channel PGA gain = $[0.78+(PGAR[7:0]*7.57)/255]$ . Used under control of the INTM[1:0] control bits.   |               |                    |
| PGA gain (Green)   | 7:0    | PGAG[7:0]          | 00000000 | Determines the gain of the green channel PGA according to the equation:<br>Green channel PGA gain = $[0.78+(PGAG[7:0]*7.57)/255]$ . Used under control of the INTM[1:0] control bits.   |               |                    |
| PGA gain (Blue)    | 7:0    | PGAB[7:0]          | 00000000 | Determines the gain of the blue channel PGA according to the equation:<br>Blue channel PGA gain = $[0.78+(PGAB[7:0]*7.57)/255]$ . Used under control of the INTM[1:0] control bits.   |               |                    |
| PGA gain (RGB)     | 7:0    | PGA[7:0]           |          | A write to this register location causes the red, green and blue PGA gain registers to be overwritten by the new value  |               |                    |

Table 6 Register Control Bits

## APPLICATIONS INFORMATION

## RECOMMENDED EXTERNAL COMPONENTS

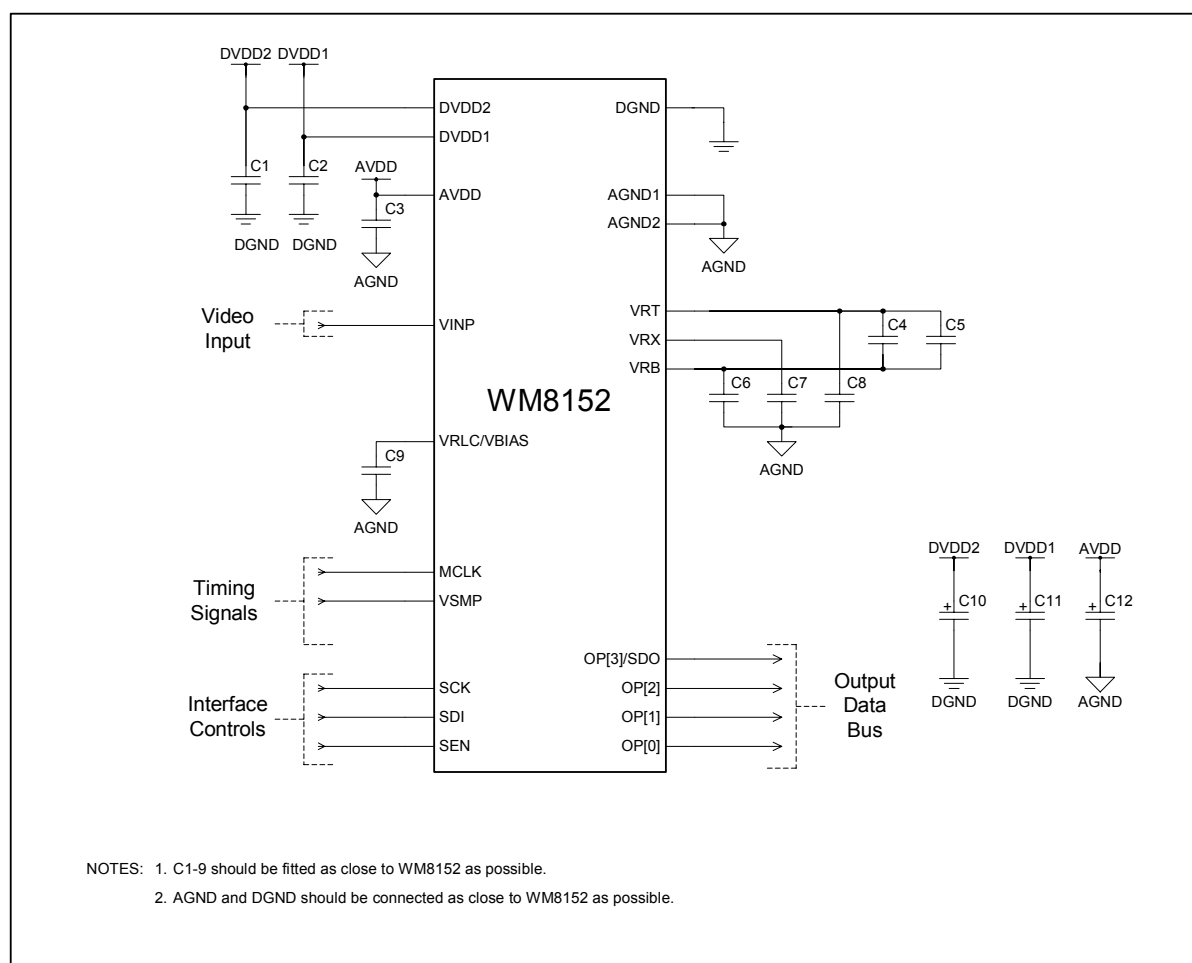


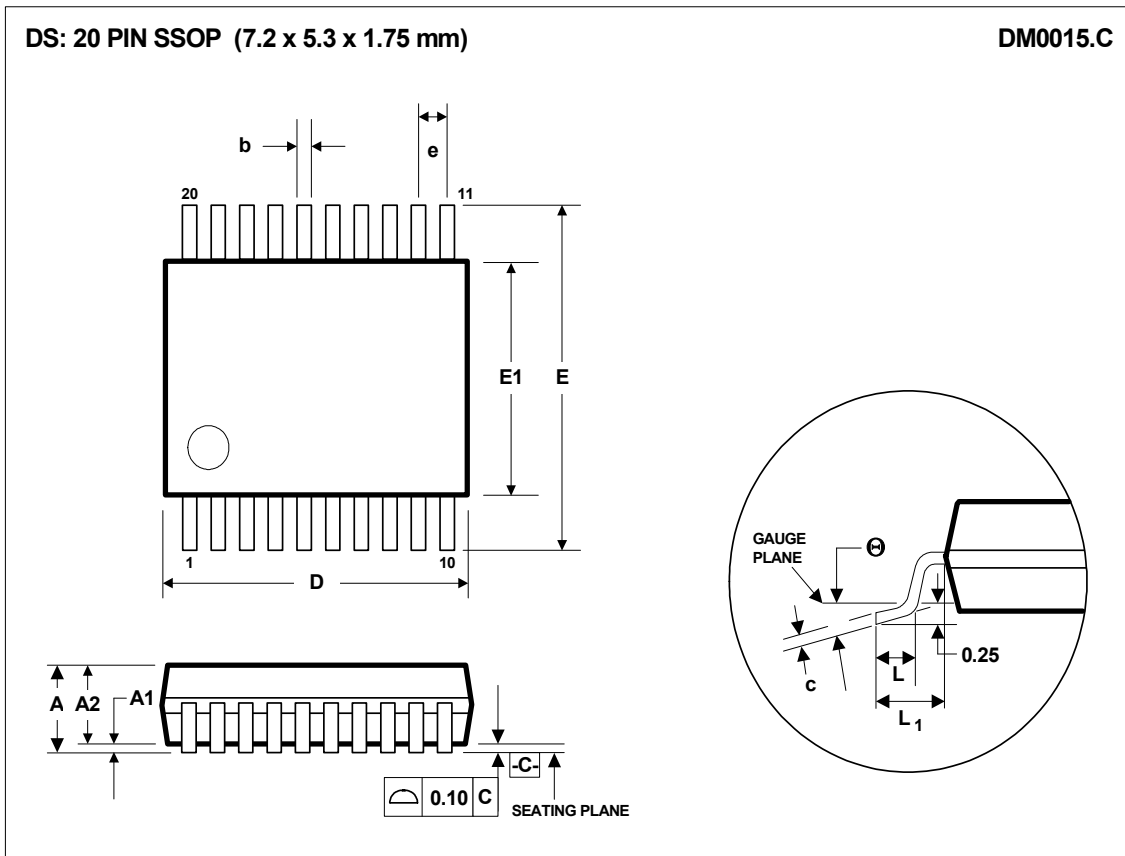
Figure 22 External Components Diagram

## RECOMMENDED EXTERNAL COMPONENTS VALUES

| COMPONENT REFERENCE | SUGGESTED VALUE | DESCRIPTION  |
|---------------------|-----------------|--|
| C1                  | 100nF           | De-coupling for DVDD2.   |
| C2                  | 100nF           | De-coupling for DVDD1.   |
| C3                  | 100nF           | De-coupling for AVDD.  |
| C4                  | 10nF            | High frequency de-coupling between VRT and VRB.                |
| C5                  | 1 $\mu$ F       | Low frequency de-coupling between VRT and VRB (non-polarised). |
| C6                  | 100nF           | De-coupling for VRB.   |
| C7                  | 100nF           | De-coupling for VRX.   |
| C8                  | 100nF           | De-coupling for VRT.   |
| C9                  | 100nF           | De-coupling for VRLC.  |
| C10                 | 10 $\mu$ F      | Reservoir capacitor for DVDD2.                                 |
| C11                 | 10 $\mu$ F      | Reservoir capacitor for DVDD1.                                 |
| C12                 | 10 $\mu$ F      | Reservoir capacitor for AVDD.                                  |

Table 7 External Components Descriptions

PACKAGE DIMENSIONS



| Symbols        | Dimensions (mm)  |       |       |
|----------------|------------------|-------|-------|
|                | MIN              | NOM   | MAX   |
| A              | -----            | ----- | 2.0   |
| A <sub>1</sub> | 0.05             | ----- | ----- |
| A <sub>2</sub> | 1.65             | 1.75  | 1.85  |
| b              | 0.22             | 0.30  | 0.38  |
| c              | 0.09             | ----- | 0.25  |
| D              | 6.90             | 7.20  | 7.50  |
| e              | 0.65 BSC         |       |       |
| E              | 7.40             | 7.80  | 8.20  |
| E <sub>1</sub> | 5.00             | 5.30  | 5.60  |
| L              | 0.55             | 0.75  | 0.95  |
| L <sub>1</sub> | 1.25 REF         |       |       |
| θ              | 0°               | 4°    | 8°    |
| REF:           | JEDEC.95, MO-150 |       |       |

- NOTES:  
 A. ALL LINEAR DIMENSIONS ARE IN MILLIMETERS.  
 B. THIS DRAWING IS SUBJECT TO CHANGE WITHOUT NOTICE.  
 C. BODY DIMENSIONS DO NOT INCLUDE MOLD FLASH OR PROTRUSION, NOT TO EXCEED 0.20MM.  
 D. MEETS JEDEC.95 MO-150, VARIATION = AE. REFER TO THIS SPECIFICATION FOR FURTHER DETAILS.

## IMPORTANT NOTICE

Wolfson Microelectronics plc ("Wolfson") products and services are sold subject to Wolfson's terms and conditions of sale, delivery and payment supplied at the time of order acknowledgement.

Wolfson warrants performance of its products to the specifications in effect at the date of shipment. Wolfson reserves the right to make changes to its products and specifications or to discontinue any product or service without notice. Customers should therefore obtain the latest version of relevant information from Wolfson to verify that the information is current.

Testing and other quality control techniques are utilised to the extent Wolfson deems necessary to support its warranty. Specific testing of all parameters of each device is not necessarily performed unless required by law or regulation.

In order to minimise risks associated with customer applications, the customer must use adequate design and operating safeguards to minimise inherent or procedural hazards. Wolfson is not liable for applications assistance or customer product design. The customer is solely responsible for its selection and use of Wolfson products. Wolfson is not liable for such selection or use nor for use of any circuitry other than circuitry entirely embodied in a Wolfson product.

Wolfson's products are not intended for use in life support systems, appliances, nuclear systems or systems where malfunction can reasonably be expected to result in personal injury, death or severe property or environmental damage. Any use of products by the customer for such purposes is at the customer's own risk.

Wolfson does not grant any licence (express or implied) under any patent right, copyright, mask work right or other intellectual property right of Wolfson covering or relating to any combination, machine, or process in which its products or services might be or are used. Any provision or publication of any third party's products or services does not constitute Wolfson's approval, licence, warranty or endorsement thereof. Any third party trade marks contained in this document belong to the respective third party owner.

Reproduction of information from Wolfson datasheets is permissible only if reproduction is without alteration and is accompanied by all associated copyright, proprietary and other notices (including this notice) and conditions. Wolfson is not liable for any unauthorised alteration of such information or for any reliance placed thereon.

Any representations made, warranties given, and/or liabilities accepted by any person which differ from those contained in this datasheet or in Wolfson's standard terms and conditions of sale, delivery and payment are made, given and/or accepted at that person's own risk. Wolfson is not liable for any such representations, warranties or liabilities or for any reliance placed thereon by any person.

### ADDRESS:

Wolfson Microelectronics plc  
20 Bernard Terrace  
Edinburgh  
EH8 9NX  
United Kingdom

Tel :: +44 (0)131 272 7000

Fax :: +44 (0)131 272 7001

Email :: [sales@wolfsonmicro.com](mailto:sales@wolfsonmicro.com)