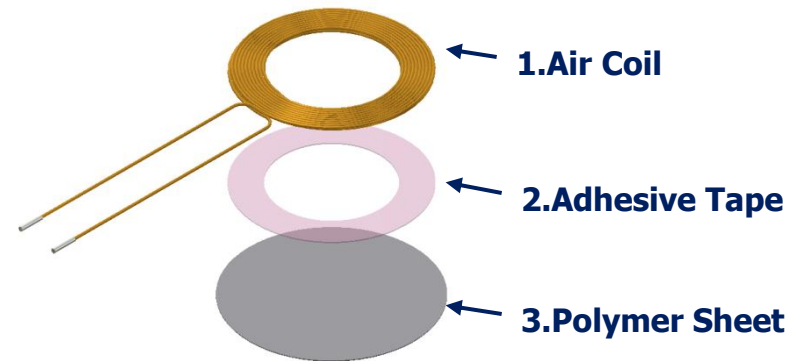
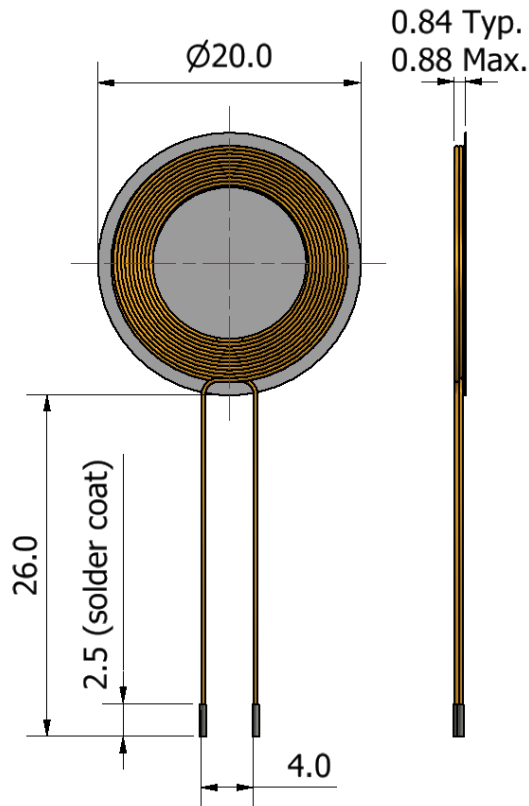


= Dimension of coil unit =



= Electrical Characteristics =

- L_s [uH] : $10.68 \text{ uH} \pm 5\% @ 1\text{MHz}$
- R_s [Ohm] : $2.96 \Omega \pm 10\% @ 1\text{MHz}$
- R_{dc} [Ohm] : $0.35 \Omega \text{ typ}$