

SUMMARY

Wires

Low	1
High	0
Coax	0
Triax	0
Quad	0
Fiber	0
Fluidic	0



Image is for illustrative purpose only

Download

[Request a quote](#)

[Catalog](#)

Series	5M
Termination type	Male crimp
IP rating	68
Cable Ø	0.00 - 0.00 mm
Matching parts	EGW.5M.114.XLM
Status	
Alternative part	

TECHNICAL DETAILS

Mechanics

Shell Style/Model	FG*: Straight plug with arctic grip and MIL spec backend
Keying	5 keys (alpha= 95, beta=115, gamma=35, delta=25, plug: male contacts, receptacle: female contacts)
Housing Material	Environment friendly aluminium (nickel plated, anthracite color) shell and nut, other pieces bronze/brass
Cable Fixing	∅ 0 - 0 mm
Variant	

Performance

Configuration	5M.114 : 114 Low Voltage
Insulator	
Rated Current	2 Amps

Specifications

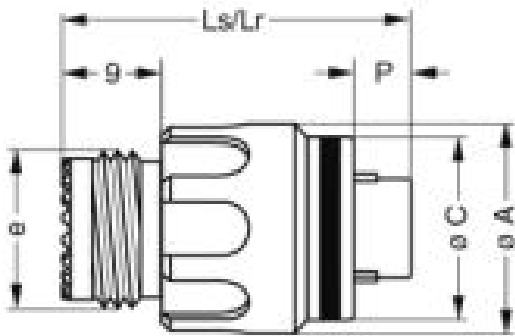
Test voltage (kV rms) Contact-contact:	1.37
Test voltage (kV rms) Contact-shell:	1.34

Others

Humidity (max): <=95% [at 60 deg C / 140 F]
 Vibration: 15 g [10 Hz - 2000 Hz]
 Shock Resistance: 100 g [6 ms]
 Operating temperature: -55° C/ +200° C
 Climatical Category: 15/200/21 (Al. shell)
 Lighting strike EIA 364-75 10K amps - 6 times
 EMI Shielding EIA 364-66A - 1Ghz-80 dB,3GHz-70 dB,6GHz- 58dB
 IP Rating: 68

DRAWINGS

Draws



Dimensions

	A	C	Lr	Ls	P	e
mm.	34.9	33.5	30	30	3.4	M31x1.0
in.	1,37	1,32	1,18	1,18	0,13	

RECOMMENDED BY LEMO

Tools

Crimp Tool: DPC.91.701.V
 Crimp settings: AWG/Selector = 22-24-26/6-5-5
 Positionner: DCE.91.070.5MVC
 Extractor: DCF.93.070.4LT
 Replacement contact: FGN.0M.555.ZZC

Cables