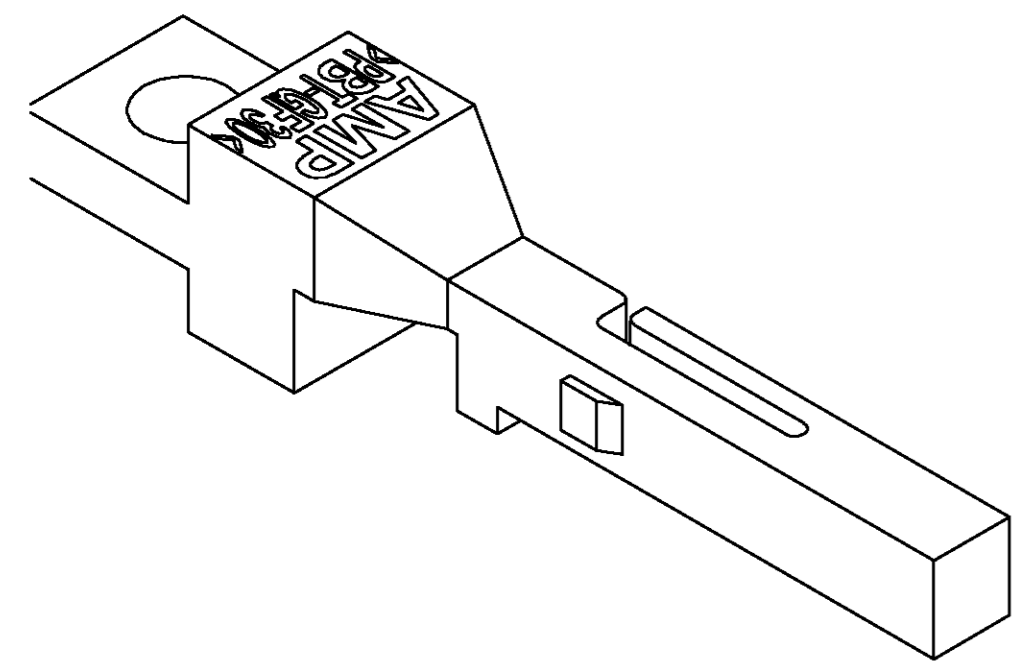
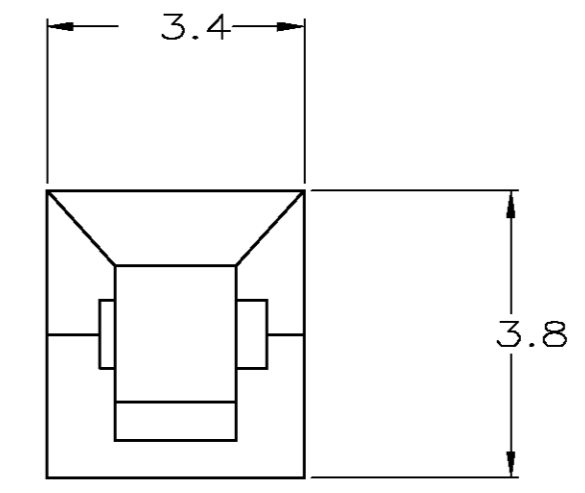
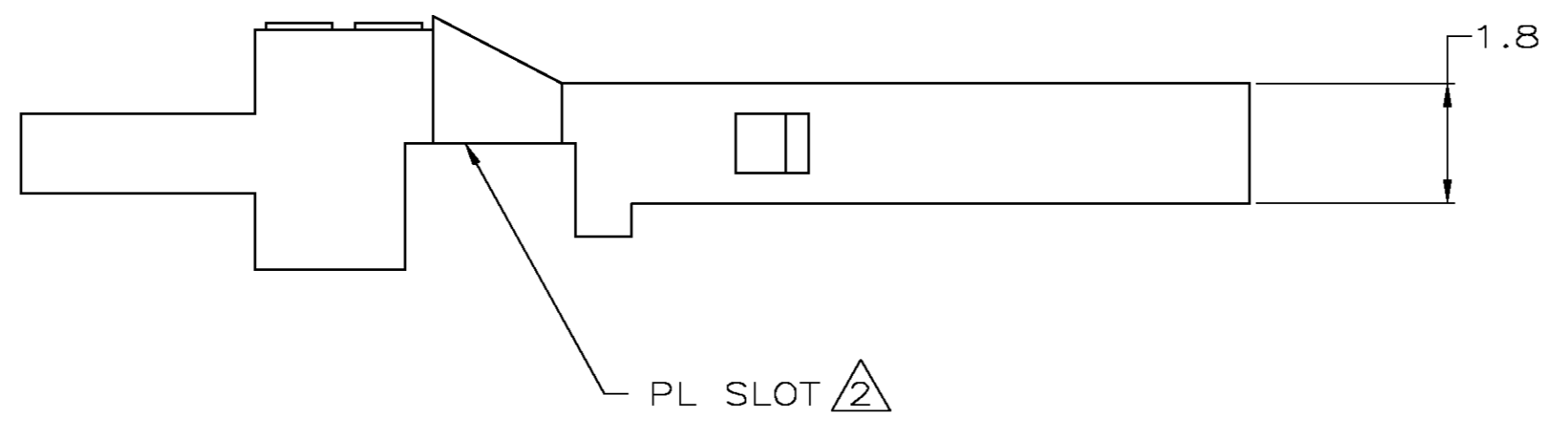
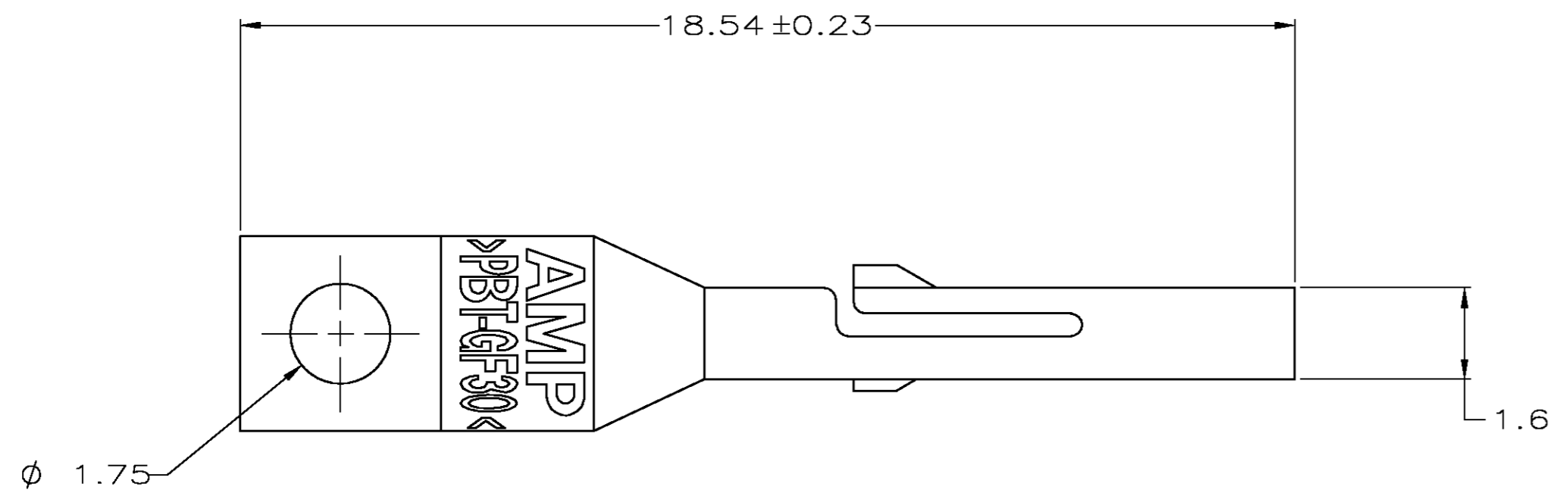


THIS DRAWING IS UNPUBLISHED. RELEASED FOR PUBLICATION
 © COPYRIGHT BY TYCO ELECTRONICS CORPORATION. ALL RIGHTS RESERVED.

LOC		DIST		REVISIONS			
P	LTR	DESCRIPTION		DATE	DWN	APVD	
D		REV PER EC 0S12-0451-03		06NOV03	AF	AF	

1. USED IN AMP-DUAC/PL™ RECEPTACLES IN PLACE OF A SOCKET CONTACT.
2. INSTALL KEYING PLUG SO THAT PL SLOT FACES TOWARD THE OPPOSING ROW OF CIRCUITS.
3. FOR MATING HEADER, CONTACT PIN MUST BE OMITTED IN THE CIRCUIT THAT IS KEYED.



3-DIMENSIONAL MODEL
NTS

METRIC

794144-1
PART NUMBER

THIS DRAWING IS A CONTROLLED DOCUMENT.		DWN K. WHITAKER 8-08-97	Tyco Electronics Corporation City, State, Zip	
DIMENSIONS: MM		CHK R. SWING 8-08-97		
TOLERANCES UNLESS OTHERWISE SPECIFIED:		APVD E. BEILES 8-08-97	NAME KEYING PLUG, AMP-DUAC/PL	
0 PLC ± -		PRODUCT SPEC 108-1646	SIZE A2	
1 PLC ± 0.2		APPLICATION SPEC 114-6067	CAGE CODE 00779	DRAWING NO C=794144
2 PLC ± 0.13		WEIGHT	RESTRICTED TO -	
3 PLC ± -		CUSTOMER DRAWING	SCALE 10:1	SHEET 1 OF 1
4 PLC ± -			REV D	
ANGLES ± 1°				
FINISH				
MATERIAL PBT, GLASS FILLED,				

794144