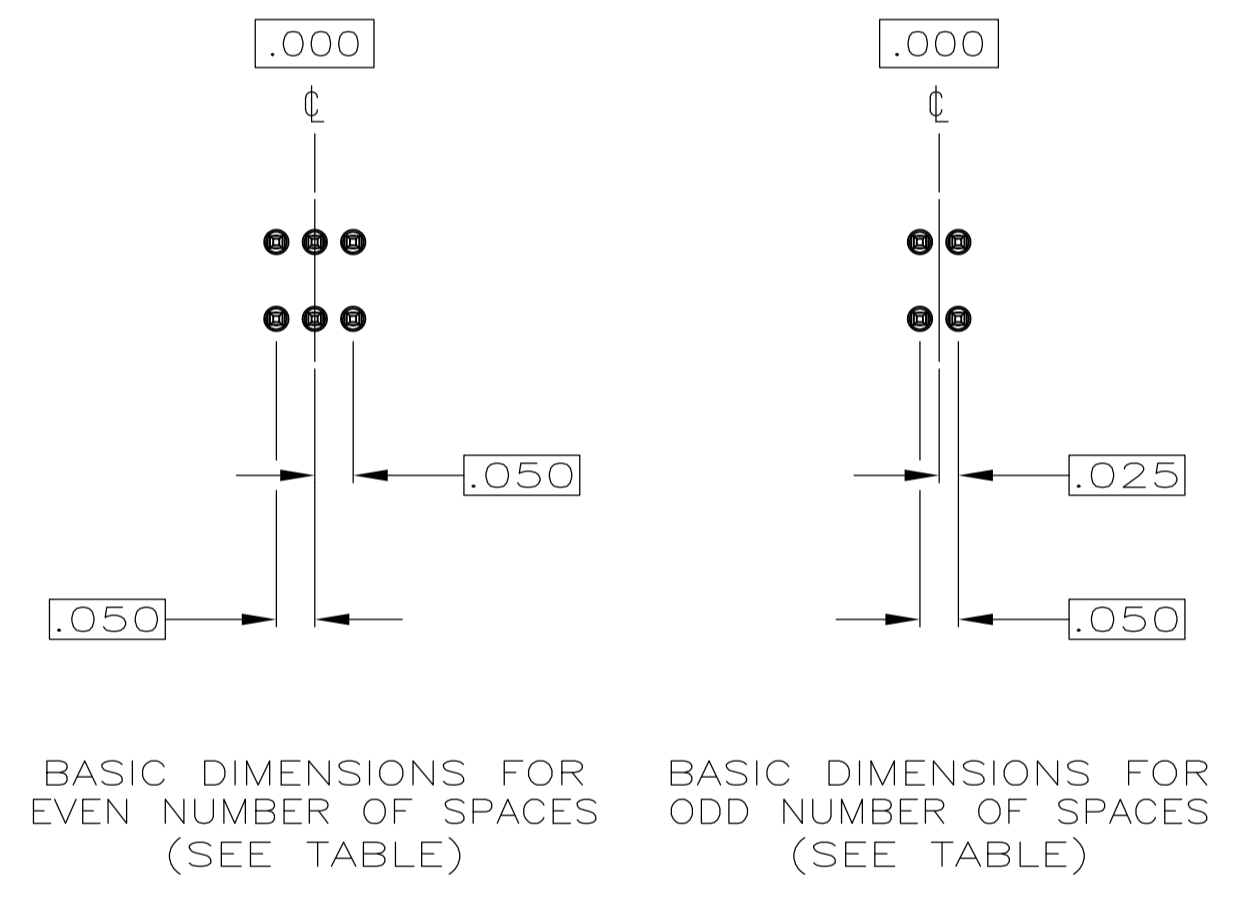
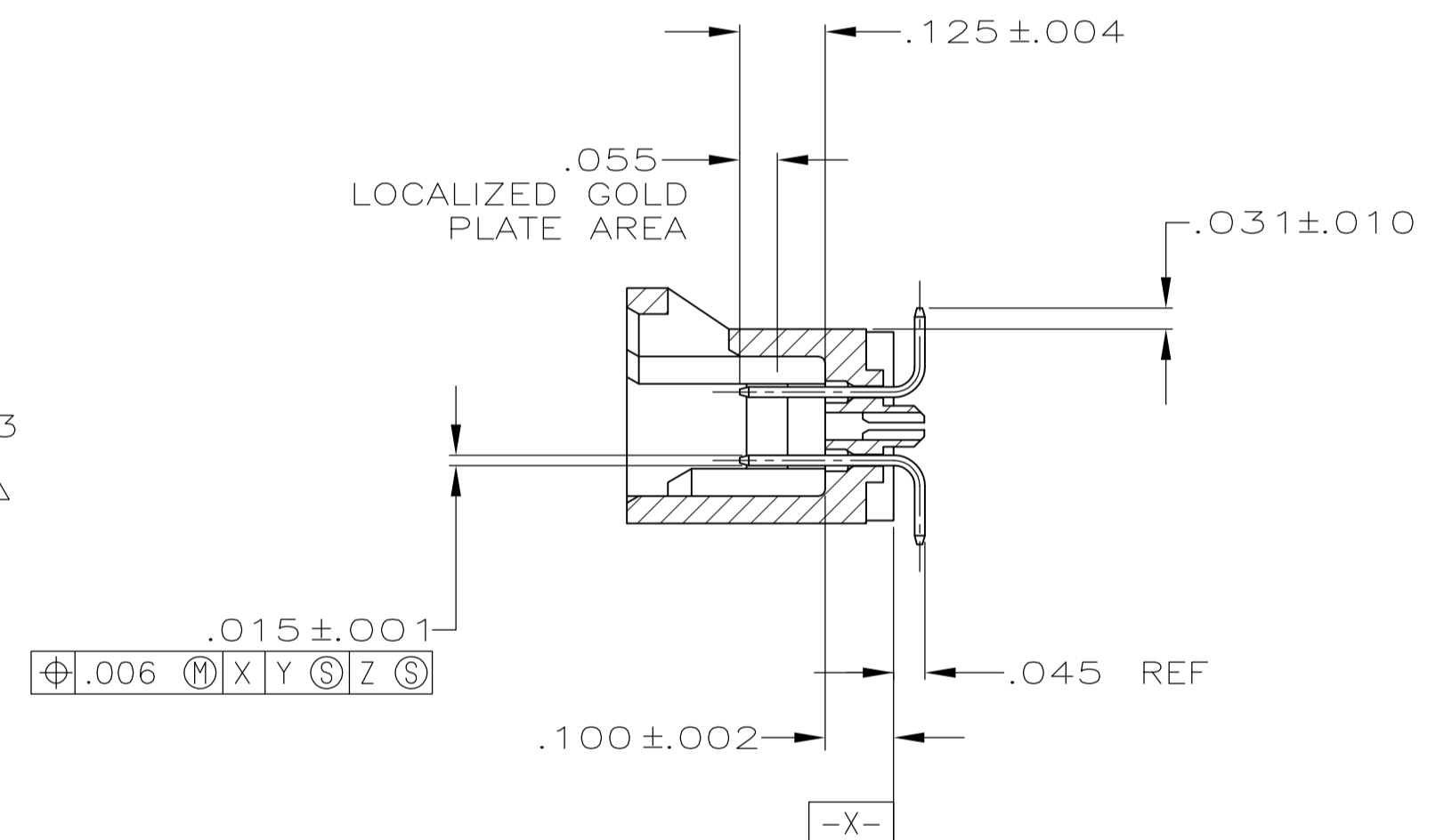
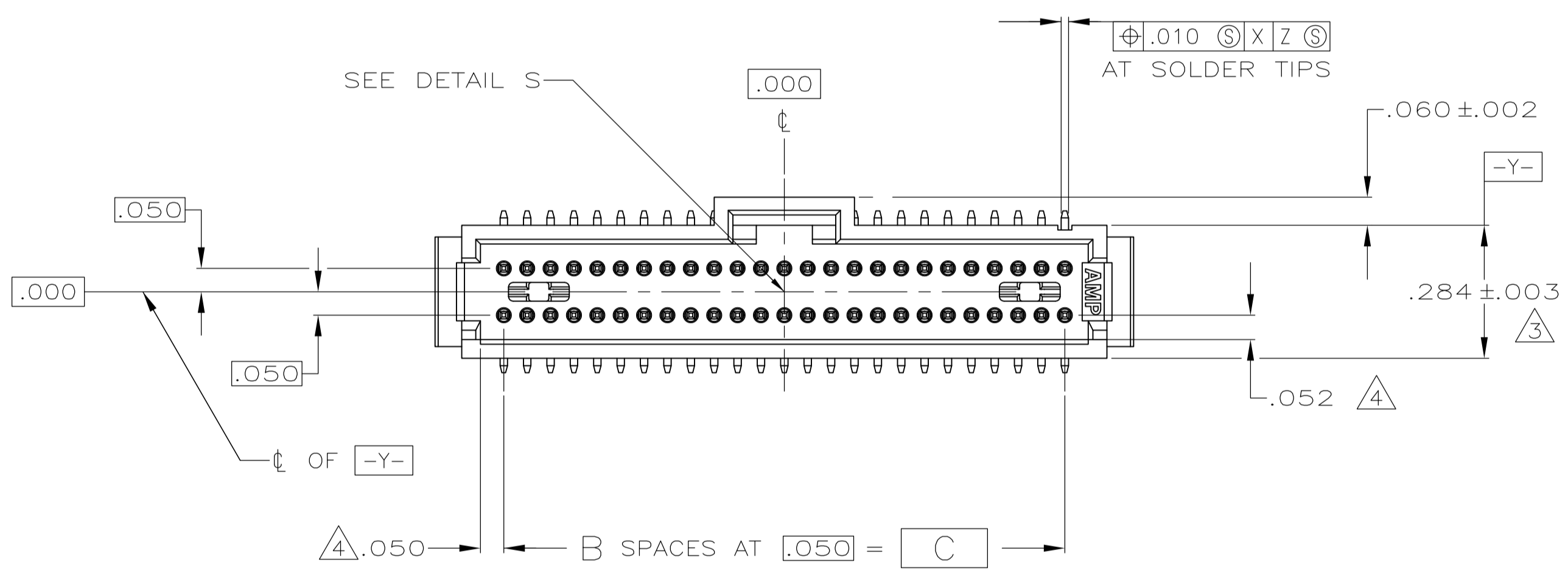
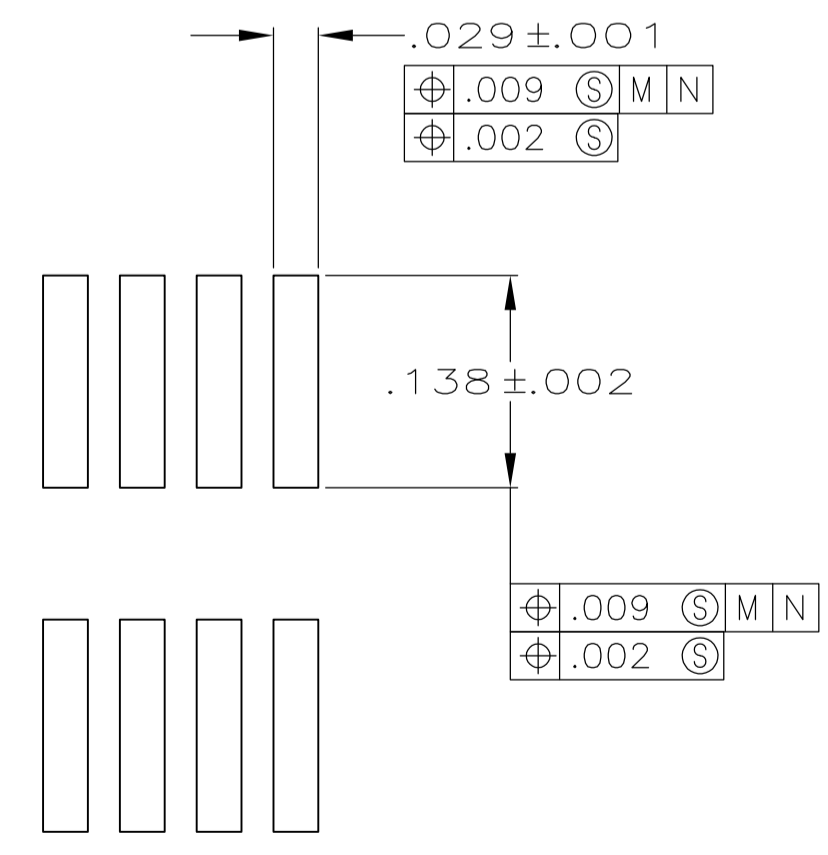
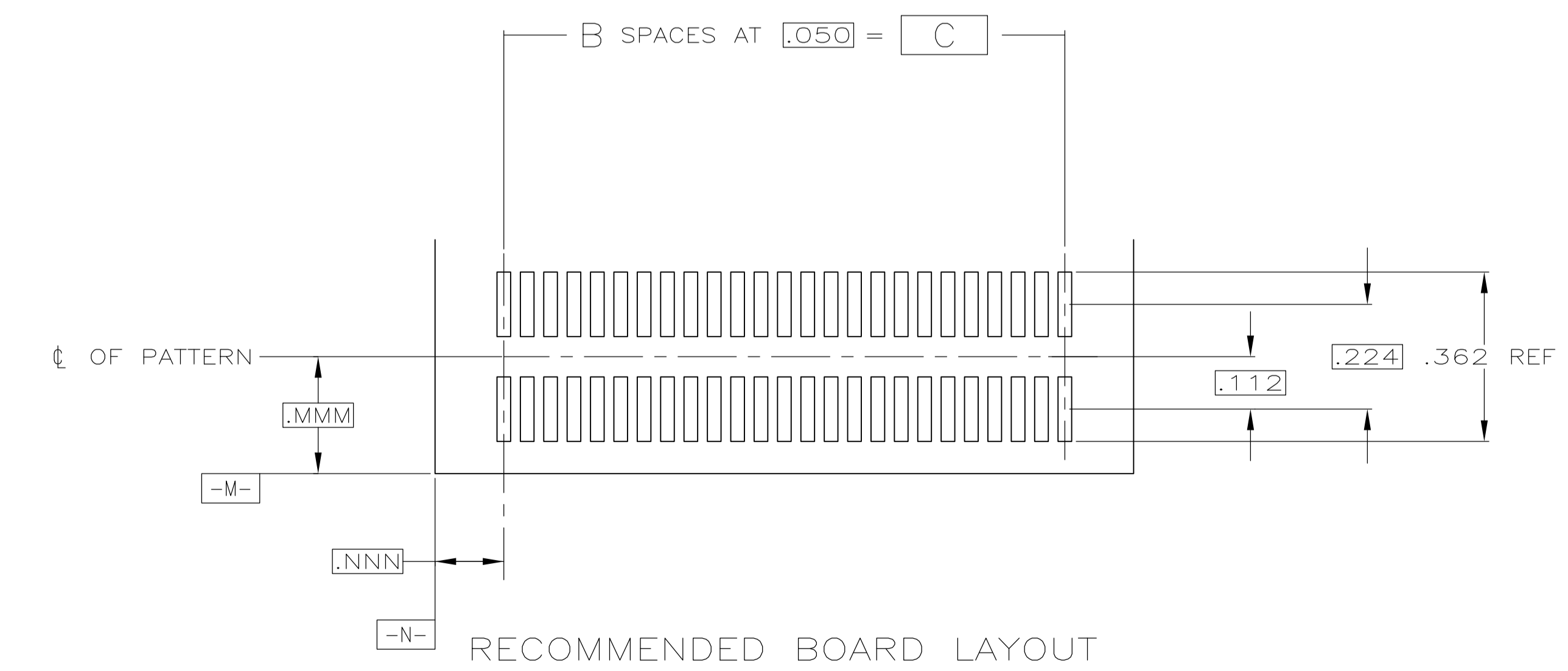


- ① .000030 GOLD IN LOCALIZED PLATE AREA, .000150 TIN ON SOLDER TAILS, ALL OVER .000050 NICKEL.
- ② CIRCUIT IDENTIFICATION FEATURE OMITTED ON 10 POSITION HEADER ASSEMBLIES.
- ③ DIMENSION APPLIES AT BASE OF SHROUD.
- ④ THE NOTED DIMENSIONS APPLY AT THE MATING FACE OF THE HOUSING.
- ⑤ (Y3) (Y4) ARE LOCATED THE SAME AS (Y1) (Y2) EXCEPT ON OPPOSITE SIDE OF HOUSING.
- ⑥ HOUSING: PPA.
CONTACT: COPPER ALLOY.
- ⑦ FINISH: .000001 MIN GOLD ON GOLD PLATED AREA, .000150-.000250 MATTE TIN ON TIN PLATE AREA, UNDERPLATING TO BE .000050-.000100 NICKEL ON ENTIRE CONTACT, GOLD AND TIN PLATING MAY NOT OVERLAP.



DETAIL S



DETAIL G
SCALE 8:1

①	56mm	1.200	24	1.380	50	2-1825601-1
②	56mm	1.200	24	1.380	50	1825601-1
FINISH	TAPE WIDTHS	C	B	A	NO OF POSN	PART NUMBER
THIS DRAWING IS A CONTROLLED DOCUMENT.						
DIMENSIONS: INCHES		TOLERANCES UNLESS OTHERWISE SPECIFIED:		APVD: N EPPLEY		
0. PLC ± -		1. PLC ± -		NAME: BROWN		
2. PLC ± -		3. PLC ± 0.13(.005)		DATE: 01JUN2006		
4. PLC ± -		ANGLES ± -		CHK: N EPPLEY		
MATERIAL		FINISH		PRODUCT SPEC: 108-1093		
SEE TABLE		SEE TABLE		APPLICATION SPEC: 114-25035		
CUSTOMER DRAWING		SCALE: 4:1		SHEET 1 OF 1		
DRAWING NO: A100779		DRAWING NO: C=1825601		RESTRICTED TO: -		
DRAWING NO: A100779		DRAWING NO: C=1825601		REV: D		