

LVDS Interface ICs

56bit LVDS Transmitter

56:8 Serializer



BU7988KVT

No.12057EAT05

●Description

LVDS Interface IC of ROHM "Serializer" "Deserializer" operate from 8MHz to 150MHz wide clock range, and number of bits range is from 35 to 70. Data is transmitted seven times (7X) stream and reduce cable number by 3(1/3) or less. The ROHM's LVDS has low swing mode to be able to expect further low EMI.

●Features

- 1) Wide dot clock range : Single(112MHz)/Dual(224MHz)(NTSC, VGA, SVGA, WXGA UXGA)
- 2) Support spread spectrum clock generator.
- 3) Clock edge selectable.
- 4) Support reduced swing LVDS for low EMI.
- 5) Power down mode.
- 6) Package TQFP100V

●Applications

Flat Plane Display

●Precaution

- This chip is not designed to protect from radioactivity.

●Block Diagram

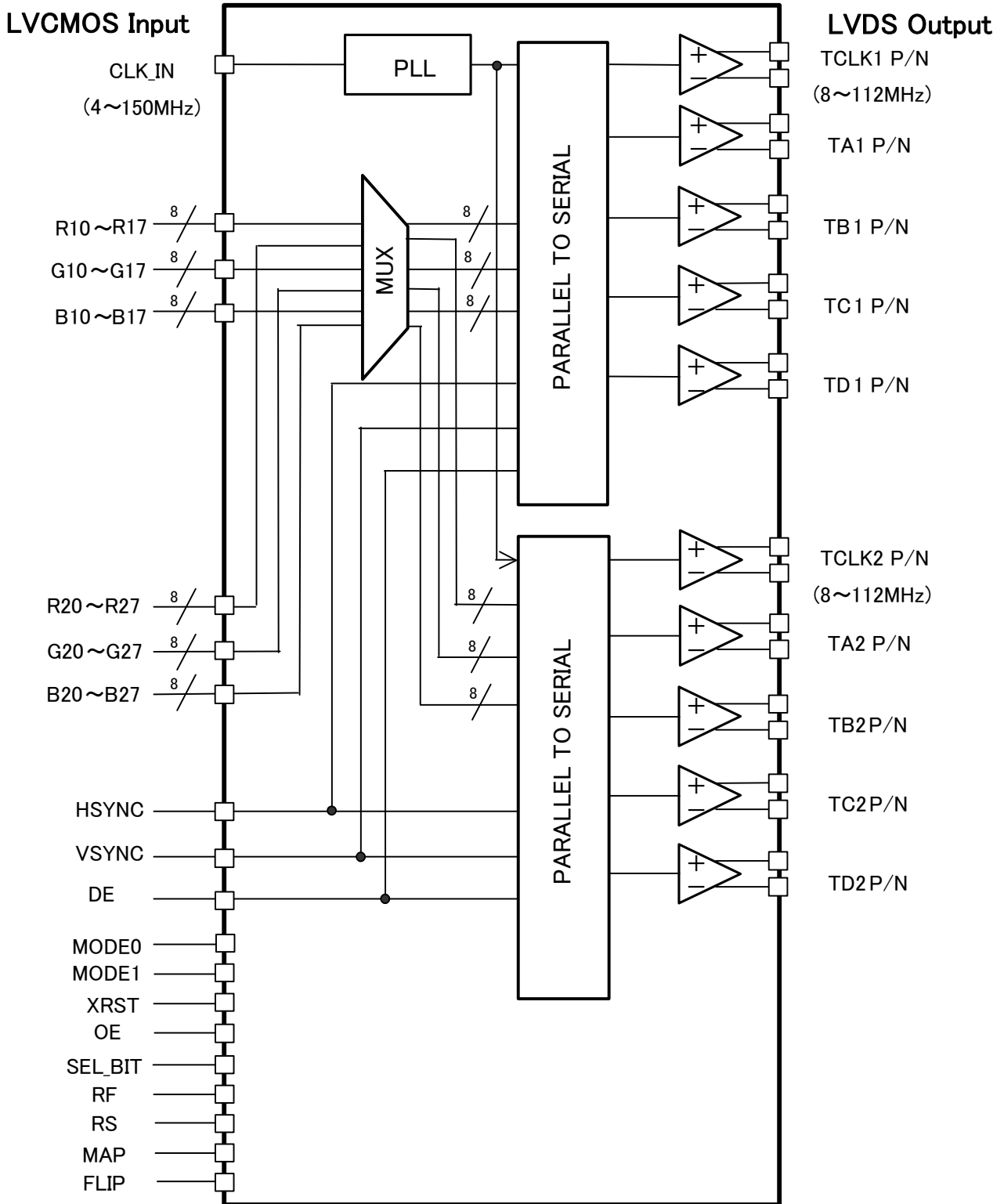


Fig.1 Block Diagram

●TQFP100V Package Outline and Specification

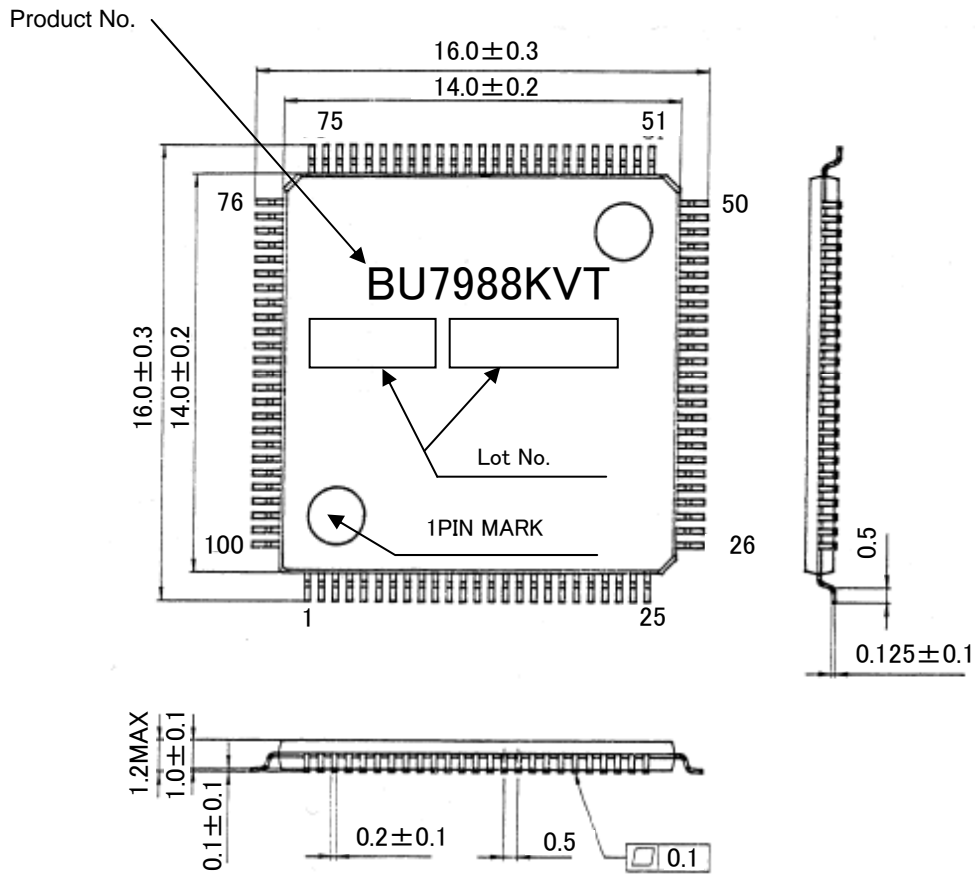


Fig.2 TQFP100V Package Outline and Specification

● Pin configuration

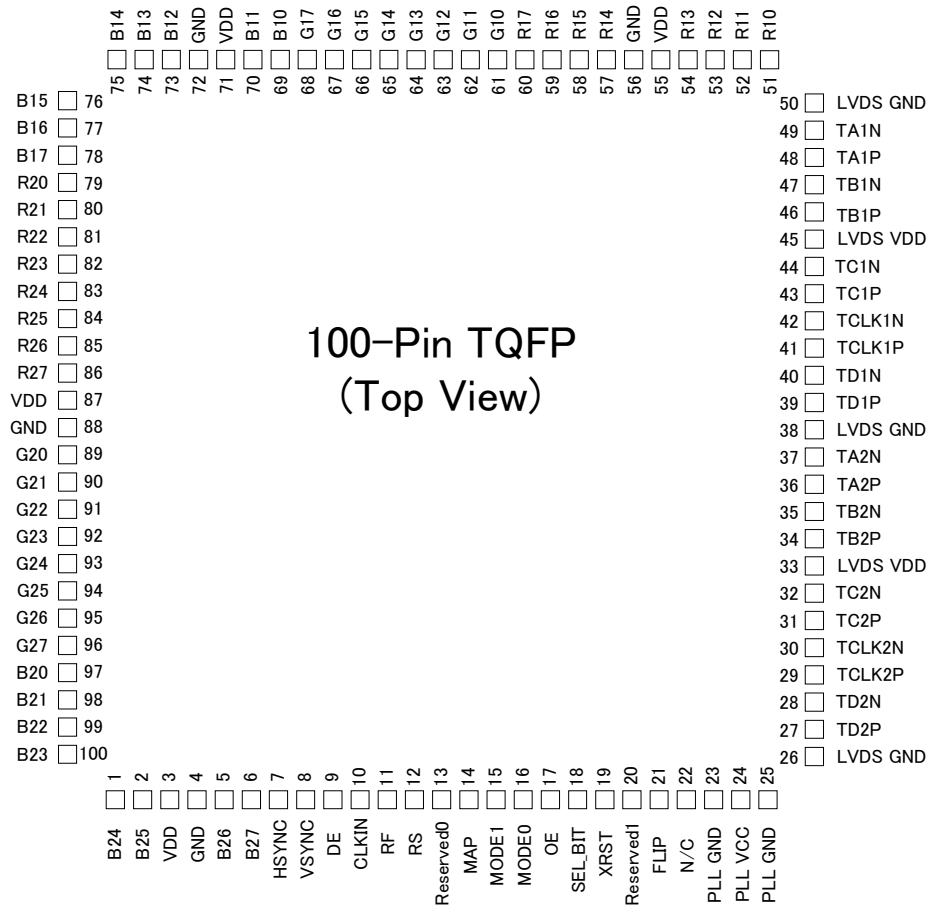


Fig.3 Pin Diagram (Top View)

● Pin Description

Table 1 : Pin Description

Pin Name	Pin No.	Type	Descriptions
TA1P, TA1N	48, 49	LVDS OUT	LVDS data out
TB1P, TB1N	46, 47	LVDS OUT	
TC1P, TC1N	43, 44	LVDS OUT	
TD1P, TD1N	39, 40	LVDS OUT	
TCLK1P, TCLK1N	41, 42	LVDS OUT	LVDS clock out
TA2P, TA2N	36, 37	LVDS OUT	LVDS data out
TB2P, TB2N	34, 35	LVDS OUT	
TC2P, TC2N	31, 32	LVDS OUT	
TD2P, TD2N	27, 28	LVDS OUT	
TCLK2P, TCLK2N	29, 30	LVDS OUT	LVDS clock out
R17~R10	60, 59, 58, 57, 54, 53, 52, 51	IN	1 s t Pixel data input.
G17~G10	68, 67, 66, 65, 64, 63, 62, 61	IN	
B17~B10	78, 77, 76, 75, 74, 73, 70, 69	IN	
R27~R20	86, 85, 84, 83, 82, 81, 80, 79	IN	2 s t Pixel data inputs.
G27~G20	96, 95, 94, 93, 92, 91, 90, 89	IN	
B27~B20	6, 5, 2, 1, 100, 99, 98, 97	IN	
DE	9	IN	DATA-ENABLE input.
VSYNC	8	IN	VSYNC input.
HSYNC	7	IN	HSYNC input.
CLKIN	10	IN	Clock Input.
MAP	14	IN	LVDS mapping table select. See Table11-14 and Figure11-14.
XRST	19	IN	H : Normal operation, L : Power down (all outputs are Hi-Z)
FLIP	21	IN	LVDS output pin select. See Table10.

Pin Name	Pin No.	Type	Descriptions															
RS	12	IN	LVDS swing mode, RS select. <table border="1"> <thead> <tr> <th>RS</th> <th>LVDS Swing</th> </tr> </thead> <tbody> <tr> <td>VDD</td> <td>350mV</td> </tr> <tr> <td>GND</td> <td>200mV</td> </tr> </tbody> </table>	RS	LVDS Swing	VDD	350mV	GND	200mV									
RS	LVDS Swing																	
VDD	350mV																	
GND	200mV																	
MODE1, MODE0	15, 16	IN	Pixel Data Mode <table border="1"> <thead> <tr> <th>MODE1</th> <th>MODE0</th> <th>Mode</th> </tr> </thead> <tbody> <tr> <td>L</td> <td>L</td> <td>Dual-in/Dual-out</td> </tr> <tr> <td>L</td> <td>H</td> <td>Dual-in/Single-out</td> </tr> <tr> <td>H</td> <td>L</td> <td>Single-in/Dual-out</td> </tr> <tr> <td>H</td> <td>H</td> <td>Single-in/Single-out</td> </tr> </tbody> </table>	MODE1	MODE0	Mode	L	L	Dual-in/Dual-out	L	H	Dual-in/Single-out	H	L	Single-in/Dual-out	H	H	Single-in/Single-out
MODE1	MODE0	Mode																
L	L	Dual-in/Dual-out																
L	H	Dual-in/Single-out																
H	L	Single-in/Dual-out																
H	H	Single-in/Single-out																
SEL_BIT	18	IN	6bit/8bit color select. H:6bit (TDxP/N**1 are Hi-Z), L : 8bit.															
OE	17	IN	Outputs enable. H:Outputs enable, L:Output disable (all outputs are Hi-Z)															
RF	11	IN	Input Clock Triggering Select H : Rising edge, L : Falling edge															
N/C	22		Must be open															
Reserved1	20	IN	Must be tied to GND															
Reserved0	13	IN	Must be open															
VDD	3, 55, 71, 87	Power	Power Supply Pins for CMOS inputs, output and digital circuitry.															
GND	4, 56, 72, 88	Ground	Ground Pins for CMOS inputs, outputs and digital circuitry.															
LVDS VDD	33, 45	Power	Power Supply Pins for LVDS Outputs.															
LVDS GND	26, 38, 50	Ground	Ground Pins for LVDS Outputs.															
PLL VDD	24	Power	Power Supply for PLL circuitry.															
PLL GND	23, 25	Ground	Ground Pin for PLL circuitry.															

*1: X=1,2

●Electrical characteristics

■Rating

Table 2 : Absolute Maximum Rating

Parameter	Symbol	Rating		Units
		Min	Max	
Supply Voltage	VDD	-0.3	4.0	V
Input Voltage	VIN	-0.3	VDD+0.3	V
Output Voltage	VOUT	-0.3	VDD+0.3	V
Storage Temperature Range	Tstg	-55	125	°C

Table 3 : Package Power

PACKAGE	Power Dissipation (mW)	Derating (mW/°C) ^{*1}
TQFP100V	900	9.0
	1400 ^{*2}	14.0 ^{*2}

*1: At temperature Ta >25°C

*2: Package power when mounting on the PCB board.

The size of PCB board : 70 × 70 × 1.6(mm³)

The material of PCB board : The FR4 glass epoxy board.(3% or less copper foil area)

(It is recommended to apply the above package power requirement to PCB board when the small swing input mode is used)

Table 4 : Recommended Operating Conditions

Parameter	Symbol	Rating			Units	Conditions
		Min	Typ	Max		
Supply Voltage	V _{DD}	3.0	3.3	3.6	V	VDD, LVDSVDD, PLLVDD
Operating Temperature Range	Topr	-20	-	85	°C	Clock frequency from 8MHz up to 90MHz
		0	-	70	°C	Clock frequency from 90MHz up to 112MHz

■ DC characteristics

Table 5 : CMOS DC Specifications(VDD=3.0V~3.6V, Ta=-20°C~+85°C)

Parameter	Symbol	Limits			Units	Conditions
		Min	Typ	Max		
High Level Input Voltage	V _{IH}	VDD × 0.8	-	VDD	V	
Low Level Input Voltage	V _{IL}	GND	-	VDD × 0.2	V	
Input Leak Current	I _{INC}	-10	-	+10	μA	0V ≤ V _{IN} ≤ VDD

Table 6 : LVDS Transmitter DC Specifications(VDD=3.0V~3.6V, Ta=-20°C~+85°C)

Parameter	Symbol	Limits			Units	Conditions	
		Min	Typ	Max			
Differential Output Voltage	VOD	250	350	450	mV	RL=100 Ω	Normal swing RS=VDD
		120	200	300	mV		Reduced swing RS=GND
Change in VOD between complementary output states	Δ VOD	-	-	35	mV	RL=100 Ω	
Common Mode Voltage	VOC	1.125	1.25	1.375	V		
Change in VOC between complementary output states	Δ VOC	-	-	35	mV		
Output Short Circuit Current	I _{OS}	-	-	-24	mA	V _{OUT} =0V, RL=100 Ω	
Output TRI-STATE Current	I _{OZ}	-10	-	+10	μA	XRST=0V, V _{OUT} =0V to VDD	

■ Supply Current

Table 7 : Supply Current (VDD=3.3V, Ta=25°C, RL=100Ω, CL=15pF)

Parameter	Symbol	Rating			Units	Conditions		
		Min	Typ	Max				
Transmitter Supply Current (Gray Scale Pattern)	I _{TCCG}	-	98	-	mA	RS=H	MODE[1:0]=L L CLKIN = 112MHz	
		-	70	-			MODE[1:0]=L H CLKIN = 56MHz	
		-	87	-			MODE[1:0]=H L CLKIN = 150MHz	
		-	62	-			MODE[1:0]=H H CLKIN = 112MHz	
		-	-	76	-	mA	RS=L	MODE[1:0]=L L CLKIN = 112MHz
								MODE[1:0]=L H CLKIN = 56MHz
								MODE[1:0]=H L CLKIN = 150MHz
								MODE[1:0]=H H CLKIN = 112MHz
Transmitter Supply Current (Worst Case pattern)	I _{TCCW}	-	101	-	mA	RS=H	MODE[1:0]=L L CLKIN = 112MHz	
		-	87	-			MODE[1:0]=L H CLKIN = 56MHz	
		-	91	-			MODE[1:0]=H L CLKIN = 150MHz	
		-	65	-			MODE[1:0]=H H CLKIN = 112MHz	
		-	-	79	-	mA	RS=L	MODE[1:0]=L L CLKIN = 112MHz
								MODE[1:0]=L H CLKIN = 56MHz
								MODE[1:0]=H L CLKIN = 150MHz
								MODE[1:0]=H H CLKIN = 112MHz
Transmitter Power Down Supply Current	I _{TCCS}	-	-	10	μA	XRST=L		

Gray Scale Pattern

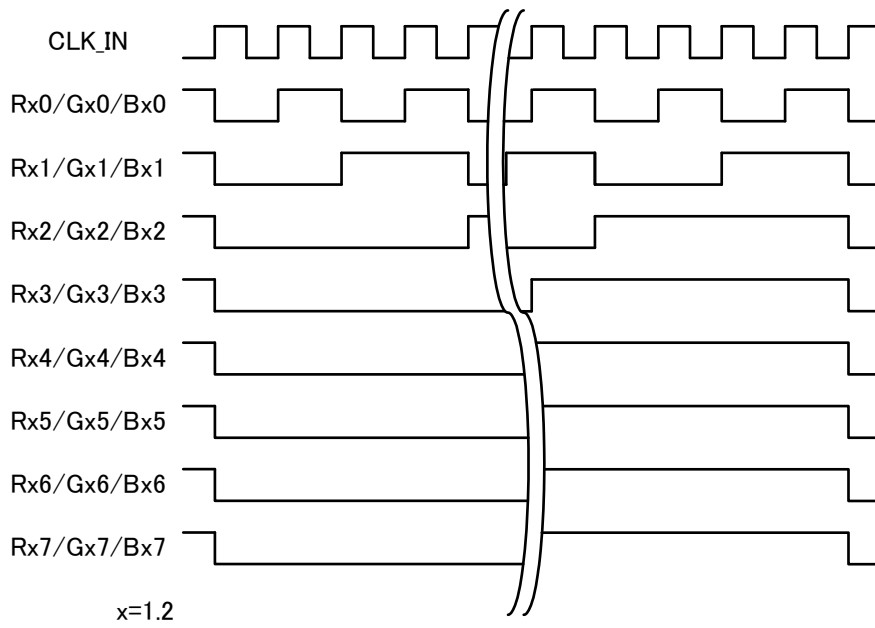


Fig.4 Gray scale pattern

Worst Case Pattern (Maximum Power condition)

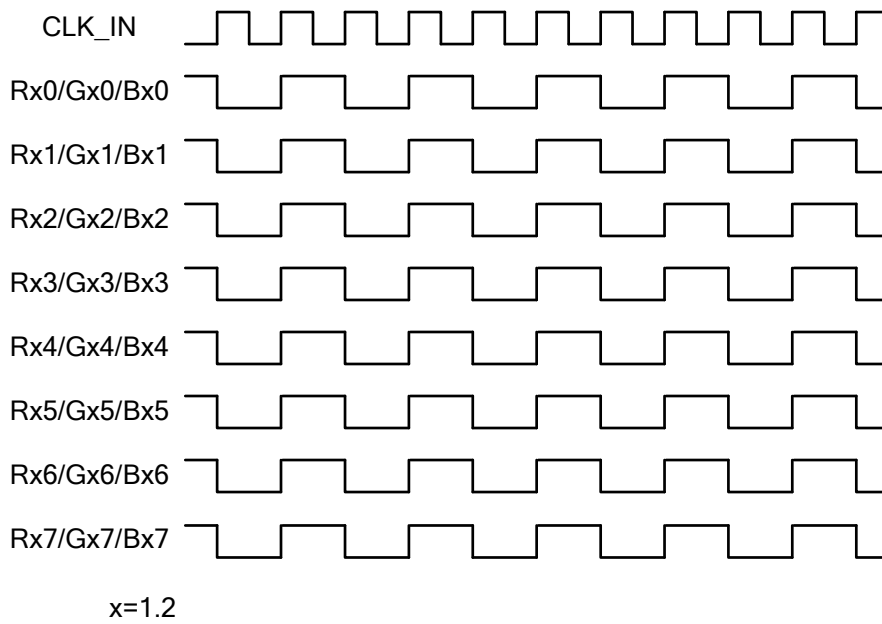


Fig.5 Worst Case Pattern

■ AC characteristics

Table 8 : Switching Characteristics (VDD=3.3V, Ta=25°C)

Parameter		Symbol	Min	Typ	Max	Units
CLK IN Transition time		t_{CIT}	-	-	5.0	ns
CLK IN Period	Dual In /Dual Out	t_{TCP}	8.9	-	125.0	ns
	Dual In / Single Out		17.8	-	62.5	
	Single In / Dual Out		6.7	-	250.0	
	Single In / Single Out		8.9		125.0	
CLK IN High Time		t_{TCH}	$0.35t_{TCP}$	$0.5t_{TCP}$	$0.65t_{TCP}$	ns
CLK IN Low Time		t_{TCL}	$0.35t_{TCP}$	$0.5t_{TCP}$	$0.65t_{TCP}$	ns
CLK IN to TCLK+/-Delay	Dual In /Dual Out Single In/Single Out	t_{TCD}	-	TBD	-	ns
	Dual In / Single Out		-	TBD	-	
	Single In / Dual Out		-	TBD	-	
CMOS Data Setup to CLK IN		t_{TS}	2.5	-	-	ns
CMOS Data Hold from CLK IN		t_{TH}	0	-	-	ns
CLK OUT Period	Dual In /Dual Out	t_{TCOP}	8.9	-	125.0	
	Dual In / Single Out		8.9	-	125.0	
	Single In / Dual Out		13.3	-	125.0	
	Single In / Single Out		8.9		125.0	
LVDS Transition Time		t_{LVT}	-	0.6	1.5	ns
Output Data Position 0		t_{TOP1}	-0.2	0.0	+0.2	ns
Output Data Position 1		t_{TOP0}	$\frac{t_{TCP}}{7} - 0.2$	$\frac{t_{TCP}}{7}$	$\frac{t_{TCP}}{7} + 0.2$	ns
Output Data Position 2		t_{TOP6}	$2 \frac{t_{TCP}}{7} - 0.2$	$2 \frac{t_{TCP}}{7}$	$2 \frac{t_{TCP}}{7} + 0.2$	ns
Output Data Position 3		t_{TOP5}	$3 \frac{t_{TCP}}{7} - 0.2$	$3 \frac{t_{TCP}}{7}$	$3 \frac{t_{TCP}}{7} + 0.2$	ns
Output Data Position 4		t_{TOP4}	$4 \frac{t_{TCP}}{7} - 0.2$	$4 \frac{t_{TCP}}{7}$	$4 \frac{t_{TCP}}{7} + 0.2$	ns
Output Data Position 5		t_{TOP3}	$5 \frac{t_{TCP}}{7} - 0.2$	$5 \frac{t_{TCP}}{7}$	$5 \frac{t_{TCP}}{7} + 0.2$	ns
Output Data Position 6		t_{TOP2}	$6 \frac{t_{TCP}}{7} - 0.2$	$6 \frac{t_{TCP}}{7}$	$6 \frac{t_{TCP}}{7} + 0.2$	ns
Skew Time between TCLKXP and TCLKYP		T_{ck12}	-	-	0.5	ns
Phase Lock Loop Set Time		t_{TPLL}	-	-	10.0	ms

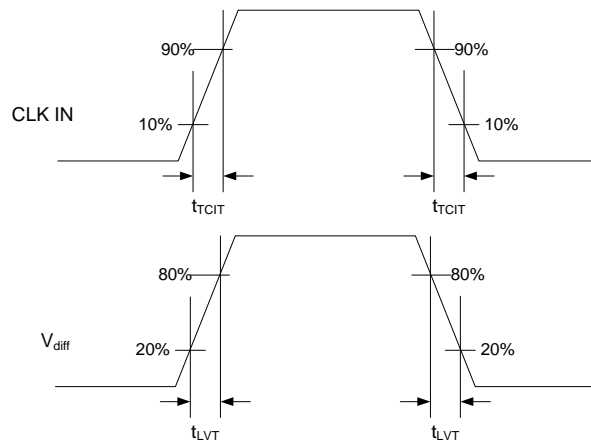
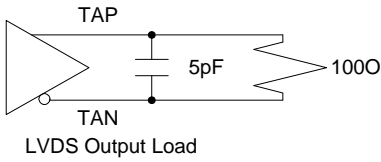
●AC Timing

■AC Timing Diagrams

LVC MOS Input

LVDS Output

$V_{diff}=(TAP)-(TAN)$



LVC MOS Input

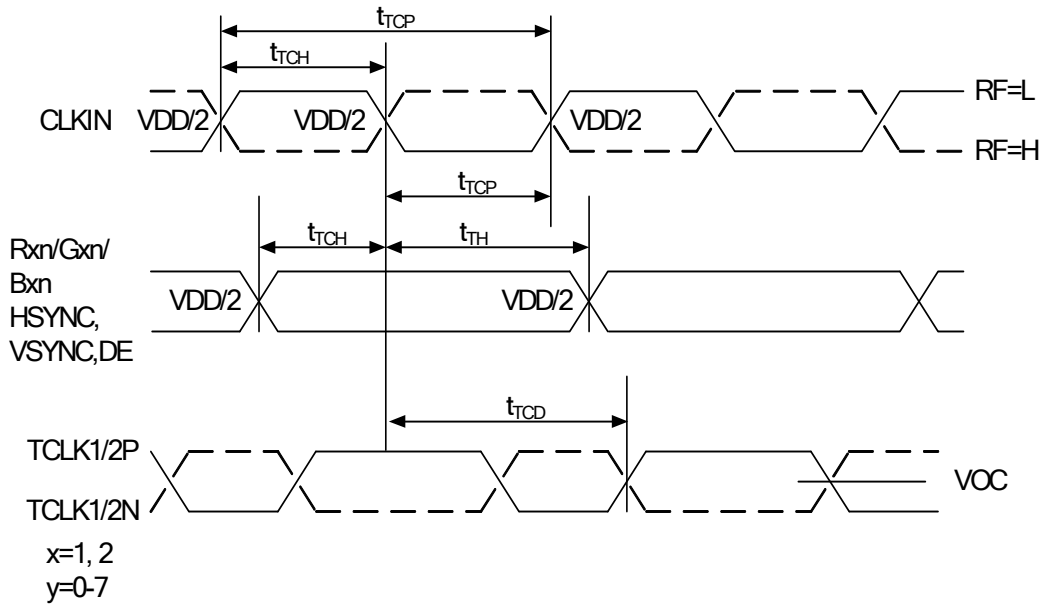


Fig.6 AC Timing Diagrams

■ AC Timing Diagrams

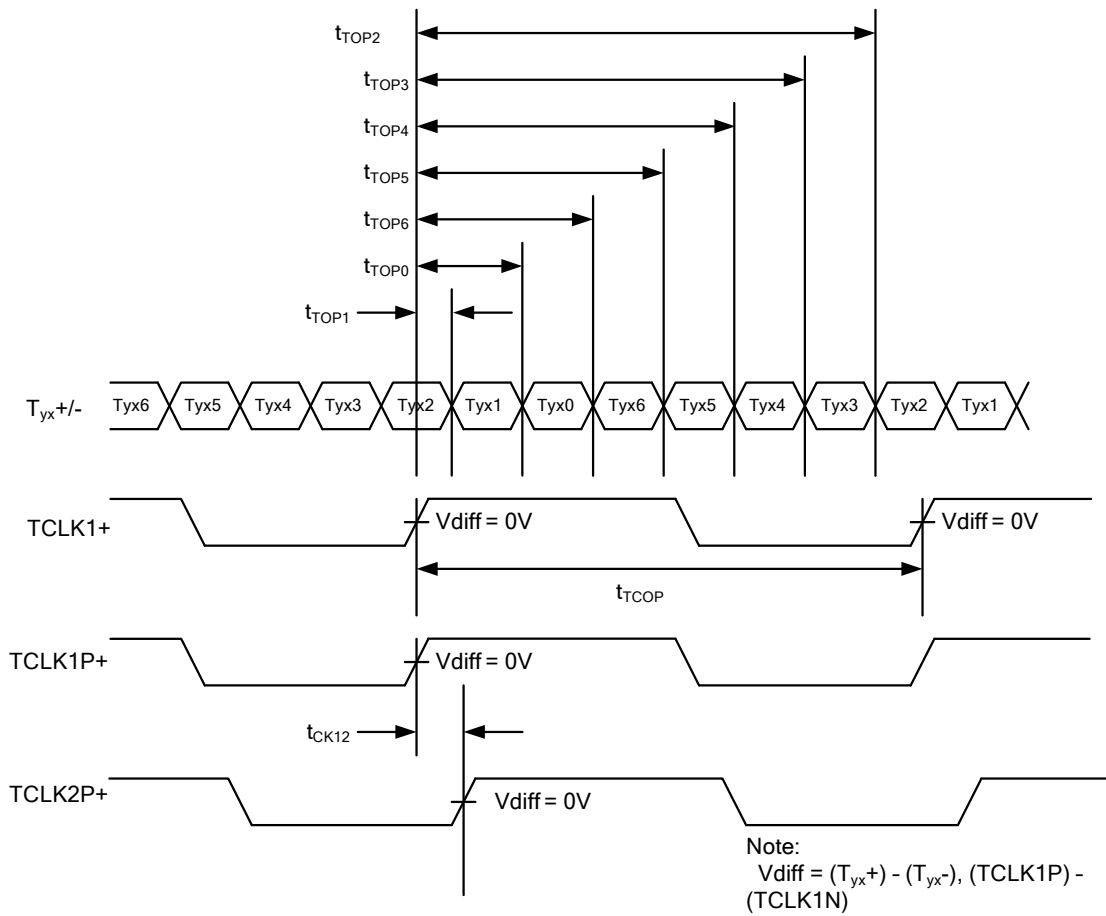


Fig.7 AC Timing Diagrams

■ Phase Lock Loop Set Time

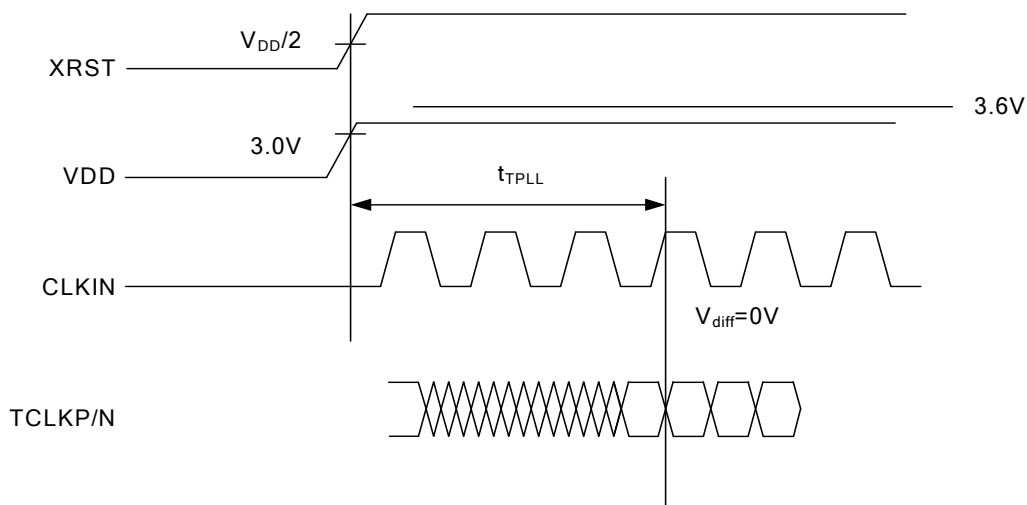


Fig.8 Phase Lock Loop Set Time

●Pixel Map Table for Dual Link

Table 9 : Pixel Map Table for Dual Link

1st Pixel Data				2nd Pixel Data			
TFT Panel Data			BU7988KVT Input	TFT Panel Data			BU7988KVT Input
	24Bit	18Bit			24Bit	18Bit	
LSB	R10	-	R10	LSB	R20	-	R20
	R11	-	R11		R21	-	R21
	R12	R10	R12		R22	R20	R22
	R13	R11	R13		R23	R21	R23
	R14	R12	R14		R24	R22	R24
	R15	R13	R15		R25	R23	R25
	R16	R14	R16		R26	R24	R26
MSB	R17	R15	R17	MSB	R27	R25	R27
LSB	G10	-	G10	LSB	G20	-	G20
	G11	-	G11		G21	-	G21
	G12	G10	G12		G22	G20	G22
	G13	G11	G13		G23	G21	G23
	G14	G12	G14		G24	G22	G24
	G15	G13	G15		G25	G23	G25
	G16	G14	G16		G26	G24	G26
MSB	G17	G15	G17	MSB	G27	G25	G27
LSB	B10	-	B10	LSB	B20	-	B20
	B11	-	B11		B21	-	B21
	B12	B10	B12		B22	B20	B22
	B13	B11	B13		B23	B21	B23
	B14	B12	B14		B24	B22	B24
	B15	B13	B15		B25	B23	B25
	B16	B14	B16		B26	B24	B26
MSB	B17	B15	B17	MSB	B27	B25	B27

●LVDS Data Output Table for Function of FLIP pin

Table 10 : LVDS Data Output Pin Name

Pin No	Output Pin Names	
	FLIP=L	FLIP=H
49	TA1N	TD2P
48	TA1P	TD2N
47	TB1N	TCLK2P
46	TB1P	TCLK2N
44	TC1N	TC2P
43	TC1P	TC2N
42	TCLK1N	TB2P
41	TCLK1P	TB2N
40	TD1N	TA2P
39	TD1P	TA2N
37	TA2N	TD1P
36	TA2P	TD1N
35	TB2N	TCLK1P
34	TB2P	TCLK1N
32	TC2N	TC1P
31	TC2P	TC1N
30	TCLK2N	TB1P
29	TCLK2P	TB1N
28	TD2N	TA1P
27	TD2P	TA1N

●LVC MOS Data Input Timing for Dual Link

Example : SXGA+(1400 × 1050)

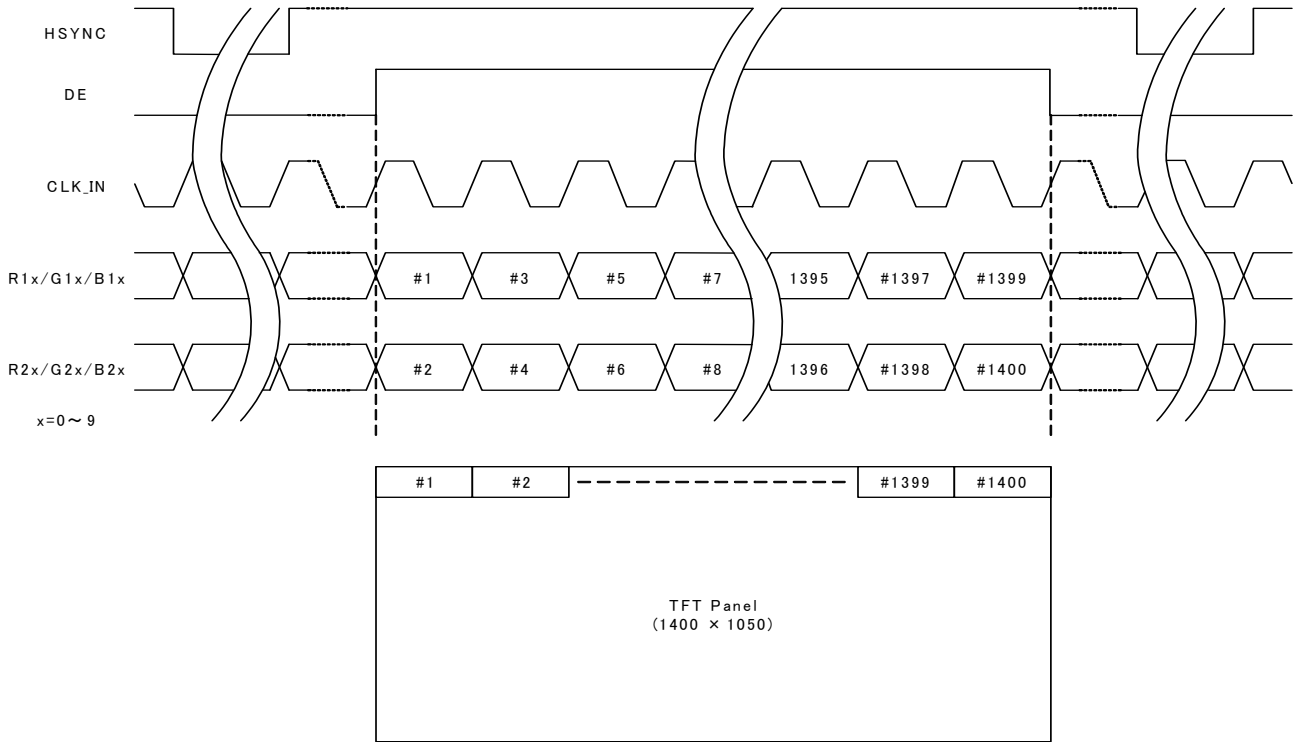


Fig.9 LVC MOS Data Input Timing for Dual Link

●LVC MOS Data Input Timing for Single Link

Example : SXGA+(1400 × 1050)

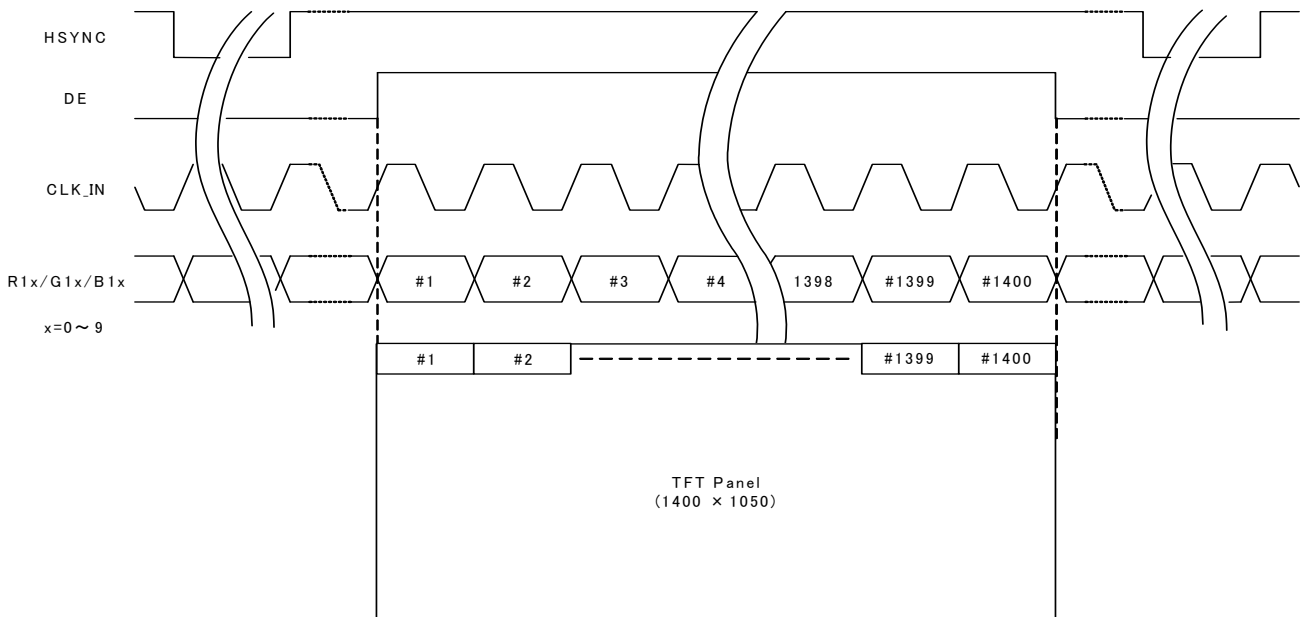
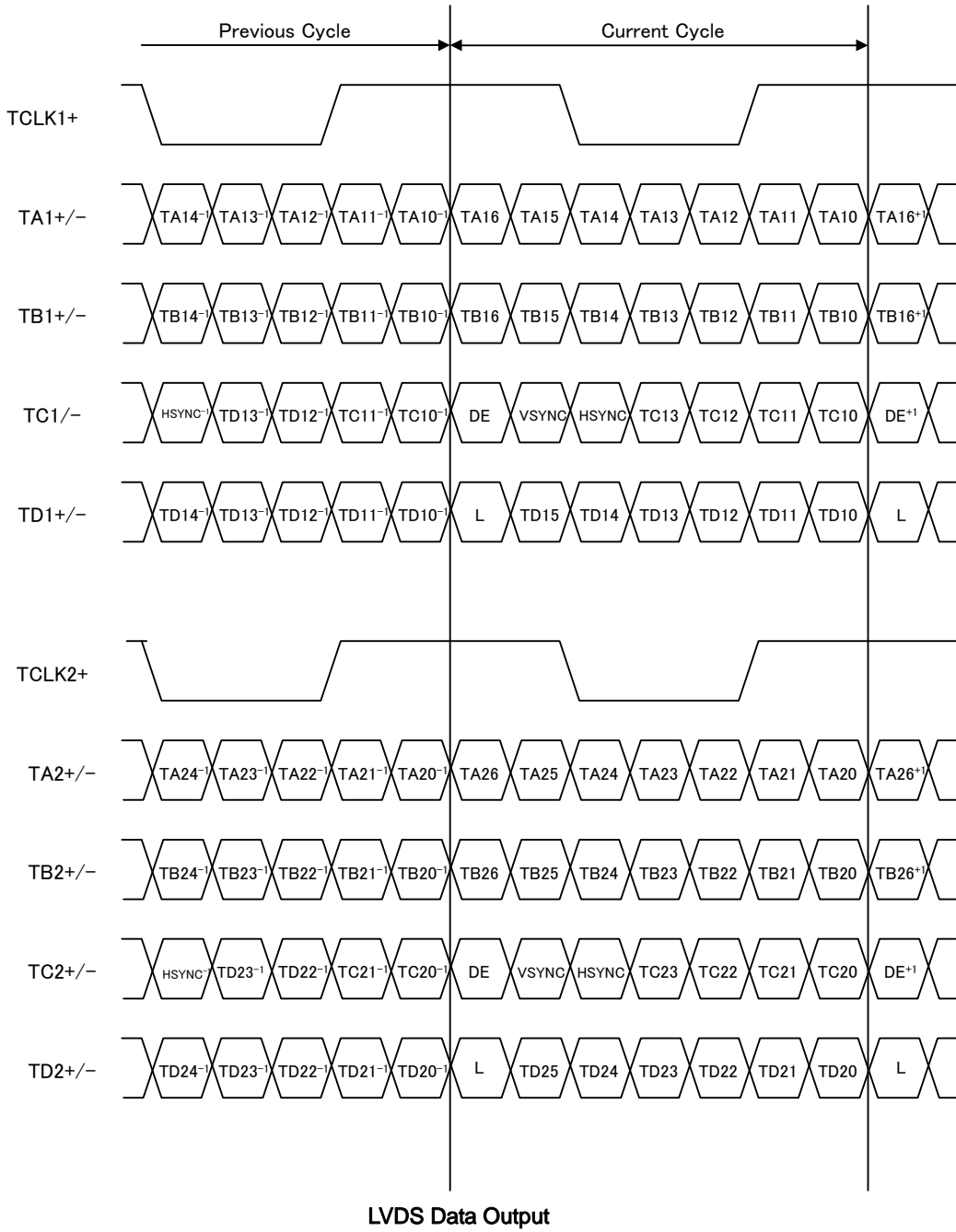
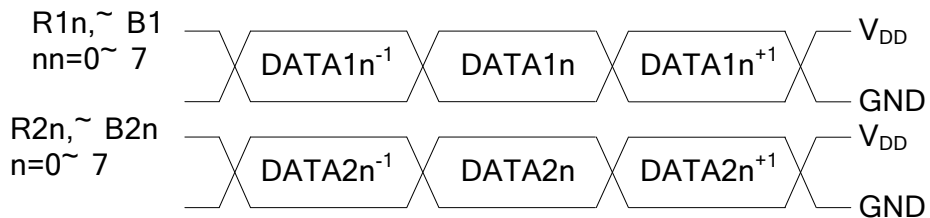


Fig.10 LVC MOS Data Input Timing for Single Link

●LVDS Output Data Mapping (Dual Link / Single Link)



LVDS Data Output



LVCMOS Data Input

Fig.11 LVDS Output Data Mapping

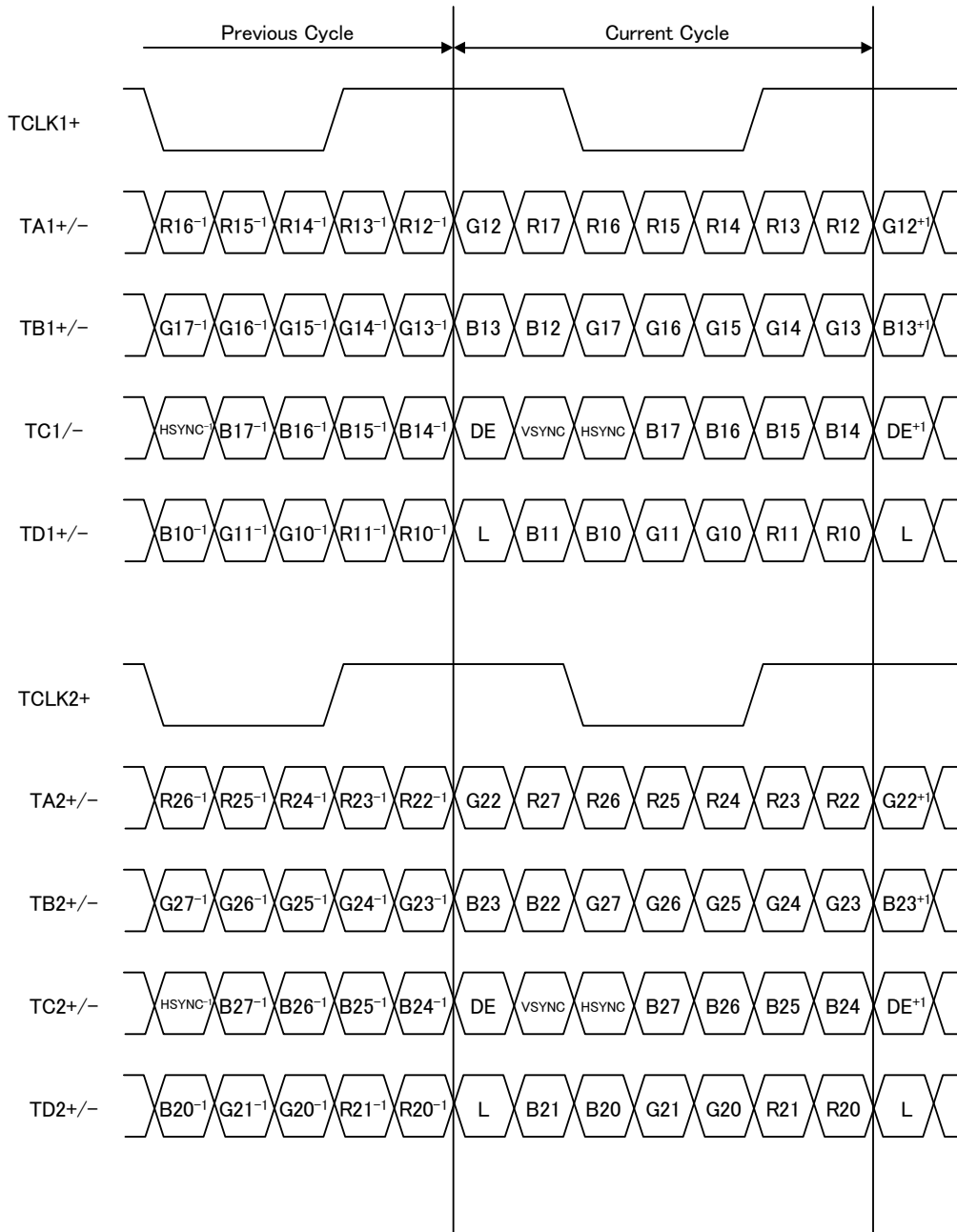
●LVCMOS Data Inputs Timing in Dual Link

Dual-in / Dual-out Mode (MODE<1:0>=LL , FLIP=L)

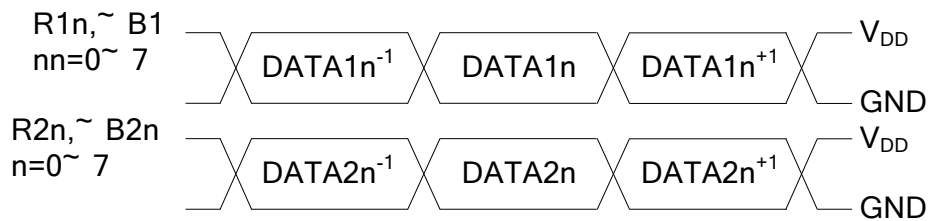
Table 11 : LVCMOS Data Inputs Timing Diagrams in Dual Link

1st Pixel Data			2nd Pixel Data		
LVDS Output Data (1st Pixel Data)	MAP=H Input Pin Name	MAP=L Input Pin Name	LVDS Output Data (2nd Pixel Data)	MAP=H Input Pin Name	MAP=L Input Pin Name
TA10	R12	R10	TA20	R22	R20
TA11	R13	R11	TA21	R23	R21
TA12	R14	R12	TA22	R24	R22
TA13	R15	R13	TA23	R25	R23
TA14	R16	R14	TA24	R26	R24
TA15	R17	R15	TA25	R27	R25
TA16	G12	G10	TA26	G22	G20
TB10	G13	G11	TB20	G23	G21
TB11	G14	G12	TB21	G24	G22
TB12	G15	G13	TB22	G25	G23
TB13	G16	G14	TB23	G26	G24
TB14	G17	G15	TB24	G27	G25
TB15	B12	B10	TB25	B22	B20
TB16	B13	B11	TB26	B23	B21
TC10	B14	B12	TC20	B24	B22
TC11	B15	B13	TC21	B25	B23
TC12	B16	B14	TC22	B26	B24
TC13	B17	B15	TC23	B27	B25
TC14	HSYNC	HSYNC	TC24	HSYNC	HSYNC
TC15	VSYNC	VSYNC	TC25	VSYNC	VSYNC
TC16	DE	DE	TC26	DE	DE
TD10	R10	R16	TD20	R20	R26
TD11	R11	R17	TD21	R21	R27
TD12	G10	G16	TD22	G20	G26
TD13	G11	G17	TD23	G21	G27
TD14	B10	B16	TD24	B20	B26
TD15	B11	B17	TD25	B21	B27
TD16	L	L	TD26	L	L

●LVCMOS Data Inputs Timing Diagrams in Dual Link
 Dual-in / Dual-out Mode (MODE<1:0>=LL, FLIP=L, MAP=H)



LVDS Data Output



LVCMOS Data Input

Fig.12 LVCMOS Data Inputs Timing Diagrams in Dual Link

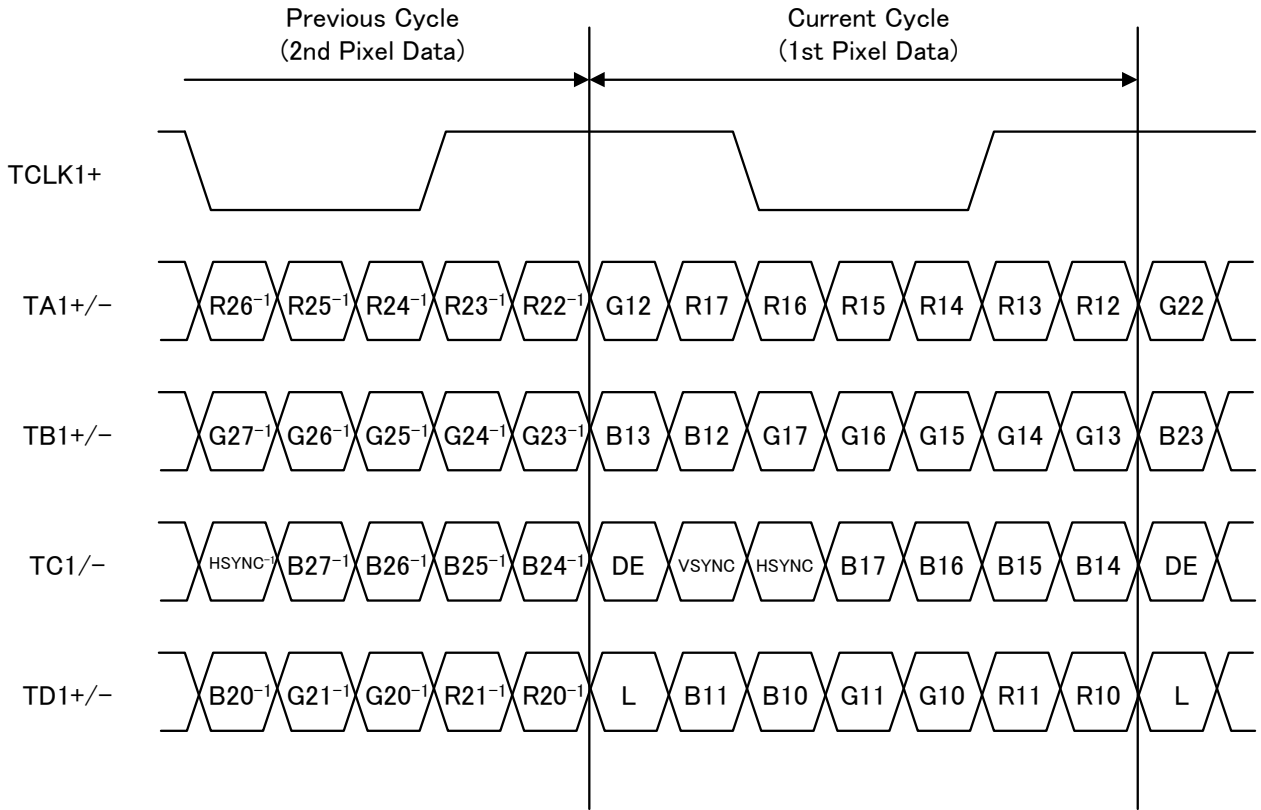
●LVCMOS Data Inputs Timing in Single Link

Dual-in / Single-out Mode (MODE<1:0>=LH, FLIP=L)

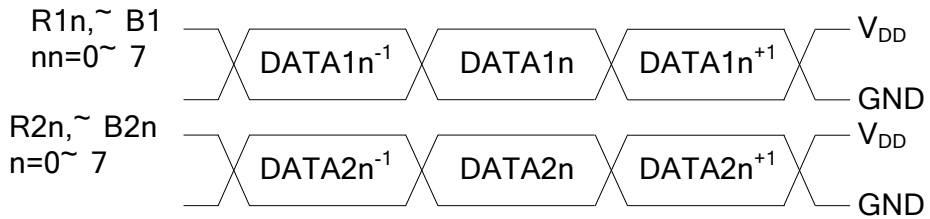
Table 12 : LVCMOS Data Inputs Timing Diagrams in Dual Link

LVDS Output Data (1st Pixel Data)	Mapping Mode1 (Input Pin Name)	Mapping Mode2 (Input Pin Name)
TA10	R12/R22	R10/R20
TA11	R13/R23	R11/R21
TA12	R14/R24	R12/R22
TA13	R15/R25	R13/R23
TA14	R16/R26	R14/R24
TA15	R17/R27	R15/R25
TA16	G12/G22	G10/G20
TB10	G13/G23	G11/G21
TB11	G14/G24	G12/G22
TB12	G15/G25	G13/G23
TB13	G16/G26	G14/G24
TB14	G17/G27	G15/G25
TB15	B12/B22	B10/B20
TB16	B13/B23	B11/B21
TC10	B14/B24	B12/B22
TC11	B15/B25	B13/B23
TC12	B16/B26	B14/B24
TC13	B17/B27	B15/B25
TC14	HSYNC	HSYNC
TC15	VSYNC	VSYNC
TC16	DE	DE
TD10	R10/R20	R16/R26
TD11	R11/R21	R17/R27
TD12	G10/G20	G16/G26
TD13	G11/G21	G17/G27
TD14	B10/B20	B16/B26
TD15	B11/B21	B17/B27
TD16	L	L

●LVC MOS Data Inputs Timing Diagrams in Single Link
 Dual-in / Single-out Mode (MODE<1:0>=LH, FLIP=L, MAP=H)



LVDS Data Output



LVC MOS Data Input

Fig.13 LVC MOS Data Inputs Timing Diagrams in Single Link

●LVCMOS Data Inputs Timing in Single Link

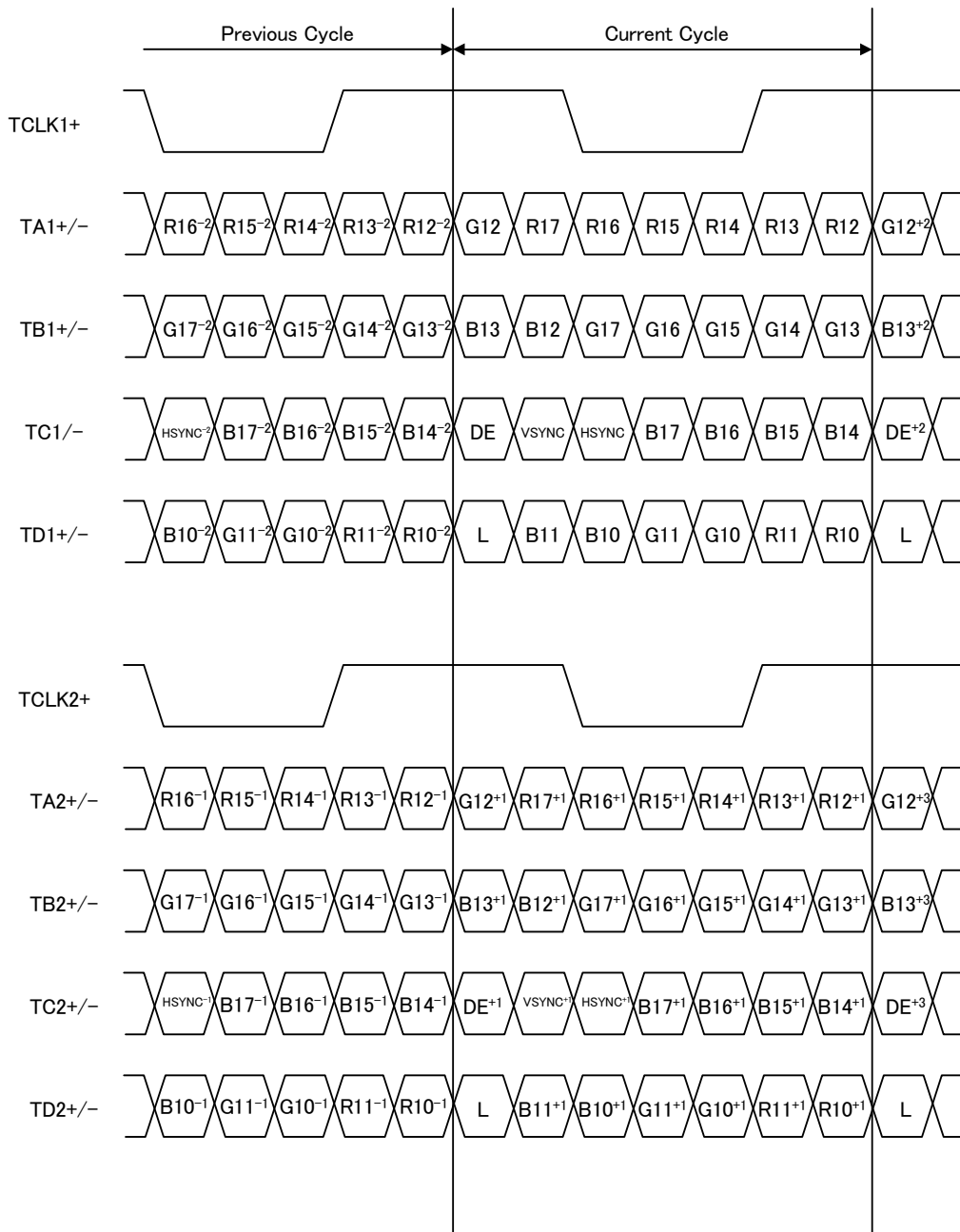
Single-in / Dual-out Mode (MODE<1:0>=HH, FLIP=L)

Table 13 : LVCMOS Data Inputs Timing Diagrams in Single Link

1st Pixel Data			2nd Pixel Data		
LVDS Output Data (1st Pixel Data)	MAP=H Input Pin Name	MAP=L Input Pin Name	LVDS Output Data (1st Pixel Data)	MAP=H Input Pin Name	MAP=L Input Pin Name
TA10	R12	R10	TA20	R12 ⁺¹	R10 ⁺¹
TA11	R13	R11	TA21	R13 ⁺¹	R11 ⁺¹
TA12	R14	R12	TA22	R14 ⁺¹	R12 ⁺¹
TA13	R15	R13	TA23	R15 ⁺¹	R13 ⁺¹
TA14	R16	R14	TA24	R16 ⁺¹	R14 ⁺¹
TA15	R17	R15	TA25	R17 ⁺¹	R15 ⁺¹
TA16	G12	G10	TA26	G12 ⁺¹	G10 ⁺¹
TB10	G13	G11	TB20	G13 ⁺¹	G11 ⁺¹
TB11	G14	G12	TB21	G14 ⁺¹	G12 ⁺¹
TB12	G15	G13	TB22	G15 ⁺¹	G13 ⁺¹
TB13	G16	G14	TB23	G16 ⁺¹	G14 ⁺¹
TB14	G17	G15	TB24	G17 ⁺¹	G15 ⁺¹
TB15	B12	B10	TB25	B12 ⁺¹	B10 ⁺¹
TB16	B13	B11	TB26	B13 ⁺¹	B11 ⁺¹
TC10	B14	B12	TC20	B14 ⁺¹	B12 ⁺¹
TC11	B15	B13	TC21	B15 ⁺¹	B13 ⁺¹
TC12	B16	B14	TC22	B16 ⁺¹	B14 ⁺¹
TC13	B17	B15	TC23	B17 ⁺¹	B15 ⁺¹
TC14	HSYNC	HSYNC	TC24	HSYNC ⁺¹	HSYNC ⁺¹
TC15	VSYNC	VSYNC	TC25	VSYNC ⁺¹	VSYNC ⁺¹
TC16	DE	DE	TC26	DE ⁺¹	DE ⁺¹
TD10	R10	R16	TD20	R10 ⁺¹	R16 ⁺¹
TD11	R11	R17	TD21	R11 ⁺¹	R17 ⁺¹
TD12	G10	G16	TD22	G10 ⁺¹	G16 ⁺¹
TD13	G11	G17	TD23	G11 ⁺¹	G17 ⁺¹
TD14	B10	B16	TD24	B10 ⁺¹	B16 ⁺¹
TD15	B11	B17	TD25	B11 ⁺¹	B17 ⁺¹
TD16	L	L	TD26	L	L

●LVCMOS Data Inputs Timing in Dual Link

Single-in / Dual-out Mode (MODE<1:0>=HL, FLIP=L, MAP=H)



LVDS Data Output



LVCMOS Data Input

Fig.14 LVCMOS Data Inputs Timing in Dual Link

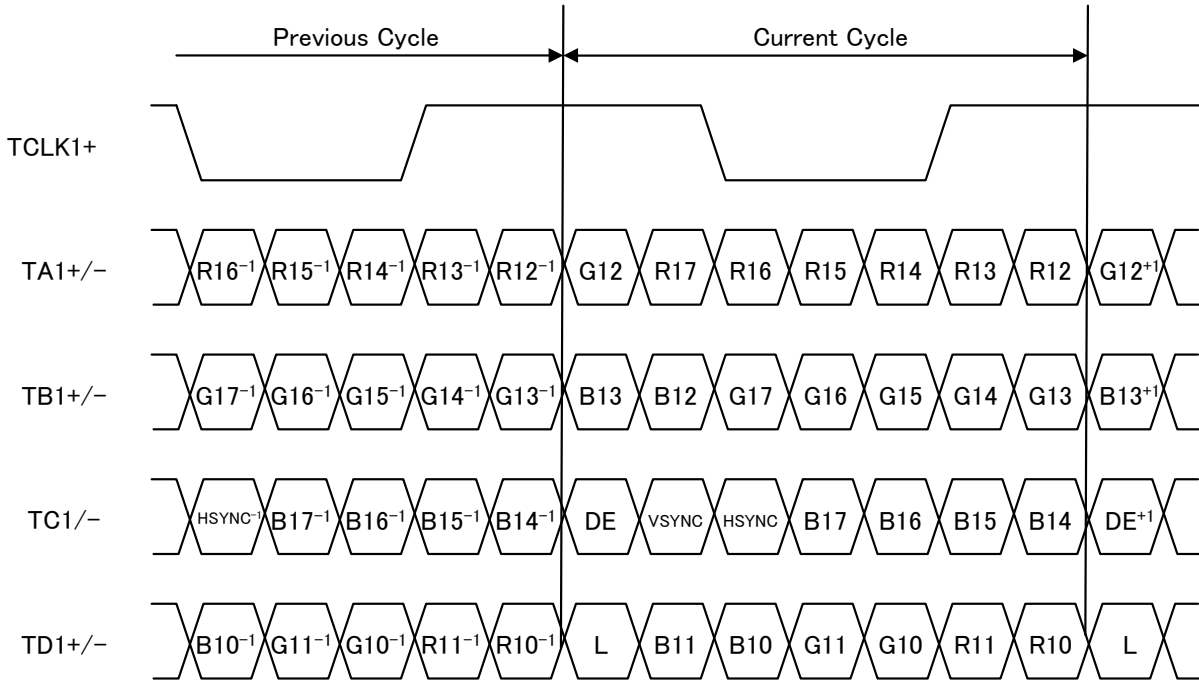
●LVCMOS Data Inputs Timing in Single Link

Single-in / Single-out Mode (MODE<1:0>=HH, FLIP=L)

Table 14 : LVCMOS Data Inputs Timing Diagrams in Single Link

LVDS Output Data (1st Pixel Data)	MAP=H Input Pin Name	MAP=L Input Pin Name
TA10	R12	R10
TA11	R13	R11
TA12	R14	R12
TA13	R15	R13
TA14	R16	R14
TA15	R17	R15
TA16	G12	G10
TB10	G13	G11
TB11	G14	G12
TB12	G15	G13
TB13	G16	G14
TB14	G17	G15
TB15	B12	B10
TB16	B13	B11
TC10	B14	B12
TC11	B15	B13
TC12	B16	B14
TC13	B17	B15
TC14	HSYNC	HSYNC
TC15	VSYNC	VSYNC
TC16	DE	DE
TD10	R10	R16
TD11	R11	R17
TD12	G10	G16
TD13	G11	G17
TD14	B10	B16
TD15	B11	B17
TD16	L	L

●LVC MOS Data Inputs Timing Diagrams in Single Link
 Single-in / Single-out Mode (MODE<1:0>=HH, FLIP=L, MAP=H)



LVDS Data Output



LVC MOS Data Input

Fig.15 LVC MOS Data Inputs Timing Diagrams in Single Link

●About the Power On Reset

Power On Reset is not mandatory for this device.
 (The PD pin should be set to high level when Power On Reset procedure is not used.)

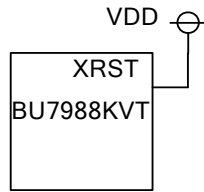


Fig.16 terminal connection when Power On Reset is not used

However, Power On Reset procedure is strongly recommend for internal logic initialization by following two methods.

- ① The method of using CR circuit.
- ② The method of using external specific IC.

It is recommend to do enough examination for target application.

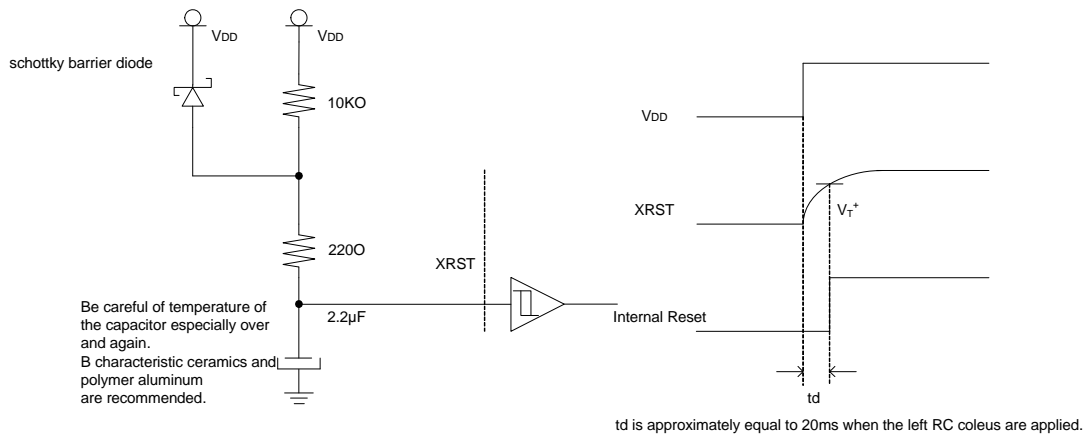


Fig.17 Power On Reset by external a CR circuit

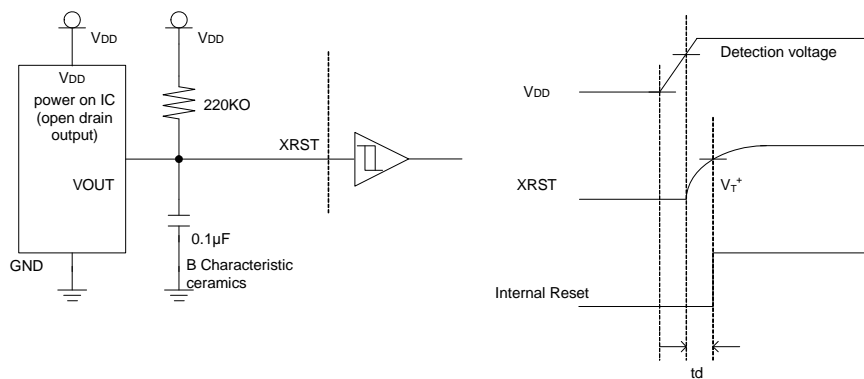


Fig.18 Power On Reset by specific

●Ordering Part Number

B	U
---	---

Part No.

7	9	8	8
---	---	---	---

Part No.

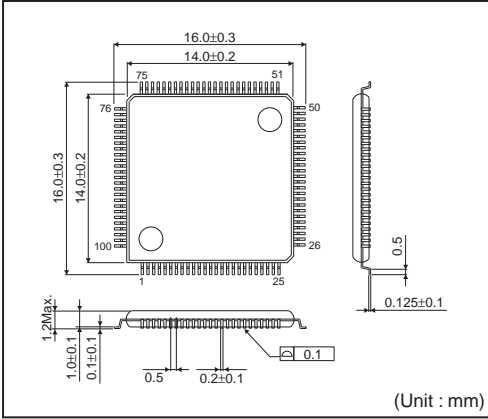
K	V	T
---	---	---

Package
KVT: TQFP100V

--	--

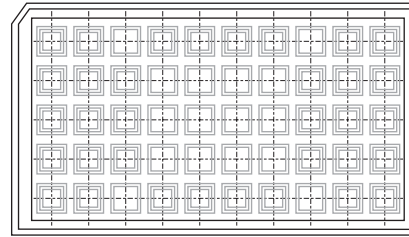
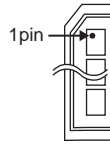
Packaging and forming specification
None:Tray

TQFP100V



<Tape and Reel information>

Container	Tray (with dry pack)
Quantity	500pcs
Direction of feed	Direction of product is fixed in a tray



*Order quantity needs to be multiple of the minimum quantity.

Notice

Precaution on using ROHM Products

- Our Products are designed and manufactured for application in ordinary electronic equipments (such as AV equipment, OA equipment, telecommunication equipment, home electronic appliances, amusement equipment, etc.). If you intend to use our Products in devices requiring extremely high reliability (such as medical equipment ^(Note 1), transport equipment, traffic equipment, aircraft/spacecraft, nuclear power controllers, fuel controllers, car equipment including car accessories, safety devices, etc.) and whose malfunction or failure may cause loss of human life, bodily injury or serious damage to property ("Specific Applications"), please consult with the ROHM sales representative in advance. Unless otherwise agreed in writing by ROHM in advance, ROHM shall not be in any way responsible or liable for any damages, expenses or losses incurred by you or third parties arising from the use of any ROHM's Products for Specific Applications.

(Note1) Medical Equipment Classification of the Specific Applications

JAPAN	USA	EU	CHINA
CLASS III	CLASS III	CLASS II b	CLASS III
CLASS IV		CLASS III	

- ROHM designs and manufactures its Products subject to strict quality control system. However, semiconductor products can fail or malfunction at a certain rate. Please be sure to implement, at your own responsibilities, adequate safety measures including but not limited to fail-safe design against the physical injury, damage to any property, which a failure or malfunction of our Products may cause. The following are examples of safety measures:
 - Installation of protection circuits or other protective devices to improve system safety
 - Installation of redundant circuits to reduce the impact of single or multiple circuit failure
- Our Products are designed and manufactured for use under standard conditions and not under any special or extraordinary environments or conditions, as exemplified below. Accordingly, ROHM shall not be in any way responsible or liable for any damages, expenses or losses arising from the use of any ROHM's Products under any special or extraordinary environments or conditions. If you intend to use our Products under any special or extraordinary environments or conditions (as exemplified below), your independent verification and confirmation of product performance, reliability, etc. prior to use, must be necessary:
 - Use of our Products in any types of liquid, including water, oils, chemicals, and organic solvents
 - Use of our Products outdoors or in places where the Products are exposed to direct sunlight or dust
 - Use of our Products in places where the Products are exposed to sea wind or corrosive gases, including Cl₂, H₂S, NH₃, SO₂, and NO₂
 - Use of our Products in places where the Products are exposed to static electricity or electromagnetic waves
 - Use of our Products in proximity to heat-producing components, plastic cords, or other flammable items
 - Sealing or coating our Products with resin or other coating materials
 - Use of our Products without cleaning residue of flux (even if you use no-clean type fluxes, cleaning residue of flux is recommended); or Washing our Products by using water or water-soluble cleaning agents for cleaning residue after soldering
 - Use of the Products in places subject to dew condensation
- The Products are not subject to radiation-proof design.
- Please verify and confirm characteristics of the final or mounted products in using the Products.
- In particular, if a transient load (a large amount of load applied in a short period of time, such as pulse. is applied, confirmation of performance characteristics after on-board mounting is strongly recommended. Avoid applying power exceeding normal rated power; exceeding the power rating under steady-state loading condition may negatively affect product performance and reliability.
- De-rate Power Dissipation (Pd) depending on Ambient temperature (Ta). When used in sealed area, confirm the actual ambient temperature.
- Confirm that operation temperature is within the specified range described in the product specification.
- ROHM shall not be in any way responsible or liable for failure induced under deviant condition from what is defined in this document.

Precaution for Mounting / Circuit board design

- When a highly active halogenous (chlorine, bromine, etc.) flux is used, the residue of flux may negatively affect product performance and reliability.
- In principle, the reflow soldering method must be used; if flow soldering method is preferred, please consult with the ROHM representative in advance.

For details, please refer to ROHM Mounting specification

Precautions Regarding Application Examples and External Circuits

1. If change is made to the constant of an external circuit, please allow a sufficient margin considering variations of the characteristics of the Products and external components, including transient characteristics, as well as static characteristics.
2. You agree that application notes, reference designs, and associated data and information contained in this document are presented only as guidance for Products use. Therefore, in case you use such information, you are solely responsible for it and you must exercise your own independent verification and judgment in the use of such information contained in this document. ROHM shall not be in any way responsible or liable for any damages, expenses or losses incurred by you or third parties arising from the use of such information.

Precaution for Electrostatic

This Product is electrostatic sensitive product, which may be damaged due to electrostatic discharge. Please take proper caution in your manufacturing process and storage so that voltage exceeding the Products maximum rating will not be applied to Products. Please take special care under dry condition (e.g. Grounding of human body / equipment / solder iron, isolation from charged objects, setting of ionizer, friction prevention and temperature / humidity control).

Precaution for Storage / Transportation

1. Product performance and soldered connections may deteriorate if the Products are stored in the places where:
 - [a] the Products are exposed to sea winds or corrosive gases, including Cl₂, H₂S, NH₃, SO₂, and NO₂
 - [b] the temperature or humidity exceeds those recommended by ROHM
 - [c] the Products are exposed to direct sunshine or condensation
 - [d] the Products are exposed to high Electrostatic
2. Even under ROHM recommended storage condition, solderability of products out of recommended storage time period may be degraded. It is strongly recommended to confirm solderability before using Products of which storage time is exceeding the recommended storage time period.
3. Store / transport cartons in the correct direction, which is indicated on a carton with a symbol. Otherwise bent leads may occur due to excessive stress applied when dropping of a carton.
4. Use Products within the specified time after opening a humidity barrier bag. Baking is required before using Products of which storage time is exceeding the recommended storage time period.

Precaution for Product Label

QR code printed on ROHM Products label is for ROHM's internal use only.

Precaution for Disposition

When disposing Products please dispose them properly using an authorized industry waste company.

Precaution for Foreign Exchange and Foreign Trade act

Since our Products might fall under controlled goods prescribed by the applicable foreign exchange and foreign trade act, please consult with ROHM representative in case of export.

Precaution Regarding Intellectual Property Rights

1. All information and data including but not limited to application example contained in this document is for reference only. ROHM does not warrant that foregoing information or data will not infringe any intellectual property rights or any other rights of any third party regarding such information or data. ROHM shall not be in any way responsible or liable for infringement of any intellectual property rights or other damages arising from use of such information or data.:
2. No license, expressly or implied, is granted hereby under any intellectual property rights or other rights of ROHM or any third parties with respect to the information contained in this document.

Other Precaution

1. This document may not be reprinted or reproduced, in whole or in part, without prior written consent of ROHM.
2. The Products may not be disassembled, converted, modified, reproduced or otherwise changed without prior written consent of ROHM.
3. In no event shall you use in any way whatsoever the Products and the related technical information contained in the Products or this document for any military purposes, including but not limited to, the development of mass-destruction weapons.
4. The proper names of companies or products described in this document are trademarks or registered trademarks of ROHM, its affiliated companies or third parties.

General Precaution

1. Before you use our Products, you are requested to carefully read this document and fully understand its contents. ROHM shall not be in any way responsible or liable for failure, malfunction or accident arising from the use of any ROHM's Products against warning, caution or note contained in this document.
2. All information contained in this document is current as of the issuing date and subject to change without any prior notice. Before purchasing or using ROHM's Products, please confirm the latest information with a ROHM sales representative.
3. The information contained in this document is provided on an "as is" basis and ROHM does not warrant that all information contained in this document is accurate and/or error-free. ROHM shall not be in any way responsible or liable for any damages, expenses or losses incurred by you or third parties resulting from inaccuracy or errors of or concerning such information.