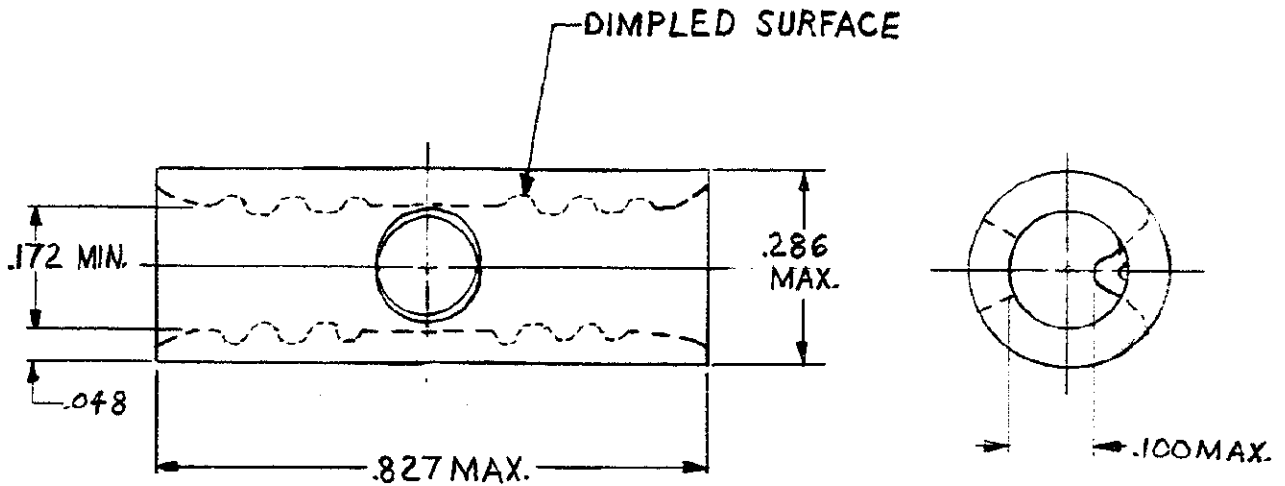


NUMBER
328605



PART NO.	FINISH
328605	GOLD PLATED
2328605-1	HIGH TEMP GOLD PLATED

INACTIVE
Rev C P9932 1/22
3/4/17

MAX FEATURE LENGTH DOES NOT INCLUDE MANUFACTURING TABS.

DIMENSIONS IN INCHES. DO NOT SCALE PRINT.

				©1962 BY AMP INCORPORATED. ALL RIGHTS RESERVED. AMP PRODUCTS COVERED BY PATENTS AND/OR PATENTS PENDING.		CUSTOMER COPY REFERENCE ONLY	
				MATERIAL AND FINISH		AMP INCORPORATED HARRISBURG, PENNA.	
D OBS. 2-1 G2669 B				COPPER ANNEALED		CLASS BUTT	
B REV PER EQU P-9255				WIRE RANGE 8 INSULATION H		TYPE SOLISTRAND	
A INACTIVATED 2-1 P-9255 001				TOLERANCE EXCEPT AS NOTED ± .015 ± 1° 0'		LOC G A NO 328605 REV D	
DR <i>T. Bentley</i> 4-6-62				NAME WIRE SPLICE			
CHK				SCALE			