

MAX16803 Evaluation Kit

Evaluates: MAX16803

General Description

The MAX16803 evaluation kit (EV kit) demonstrates a current-controlled, high-output-current LED driver based on the MAX16803 current regulator. The EV kit is capable of supplying regulated output currents of up to 350mA, can run at supply voltages between 6.5V and 40V, and can operate at temperatures ranging from -40°C to +125°C.

The MAX16803 EV kit features a PWM dimming control, user-selectable three-level output current setting, and a 5V-regulated output, which can supply up to 4mA of output current. The MAX16803 EV kit is a fully assembled and tested board.

Component List

DESIGNATION	QTY	DESCRIPTION
C1	1	0.1 μ F, 50V X7R ceramic capacitor (0603) Murata GRM188R71H104KA93D or TDK C1608X7R1H104K
C2	1	0.1 μ F, 10V X7R ceramic capacitor (0402) Murata GRM155R71C104KA88D or KEMET C0402C104K8RACTU
J1, J2	2	0.1in, 3-pin headers (through hole)
J3, PWM_IN, RSNS, VIN, V5	5	0.1in, 2-pin headers (through hole)
LED+, LED-	2	0.1in, 1-pin headers (through hole)
R1	1	0.56 Ω \pm 1%, 1/4W resistor (0805) Susumu RP2012T-R56-F
R2	1	0.82 Ω \pm 1%, 1/4W resistor (0805) Susumu RP2012T-R82-F
U1	1	High-output-current LED driver (16 TQFN-EP*) Maxim MAX16803ATE+
—	1	PCB: MAX16803 Evaluation Kit+

*EP = Exposed pad.

Features

- ◆ 6.5V to 40V Supply Voltage Range
- ◆ Selectable 150mA, 250mA, or 350mA Output Current
- ◆ 5V-Regulated Output
- ◆ PWM Dimming Control
- ◆ Package Dissipates Up to 2.666W at T_A = +70°C
- ◆ Lead-Free and RoHS compliant
- ◆ Fully Assembled and Tested

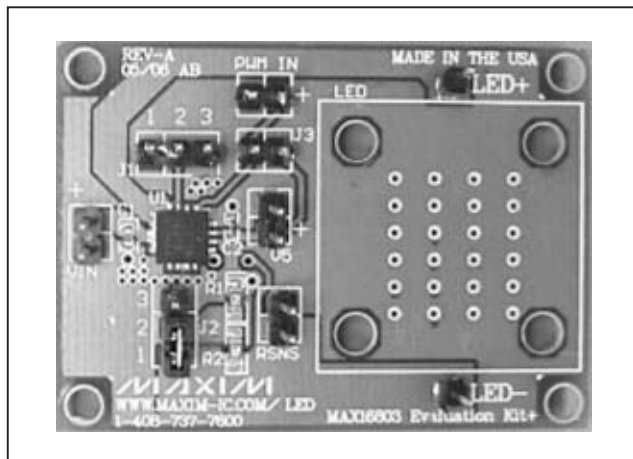


Figure 1. MAX16803 EV Kit Board

Ordering Information

PART	TYPE
MAX16803EVKIT+	EV Kit

+Denotes lead-free and RoHS compliant.

Component Suppliers

SUPPLIER	PHONE	WEBSITE
KEMET Corp.	864-963-6300	www.kemet.com
Murata Electronics North America, Inc.	770-436-1300	www.murata-northamerica.com
Susumu International USA	208-328-0307	www.susumu-usa.com
TDK Corp.	847-803-6100	www.component.tdk.com

Note: Indicate that you are using the MAX16803 when contacting these component suppliers.

MAX16803 Evaluation Kit

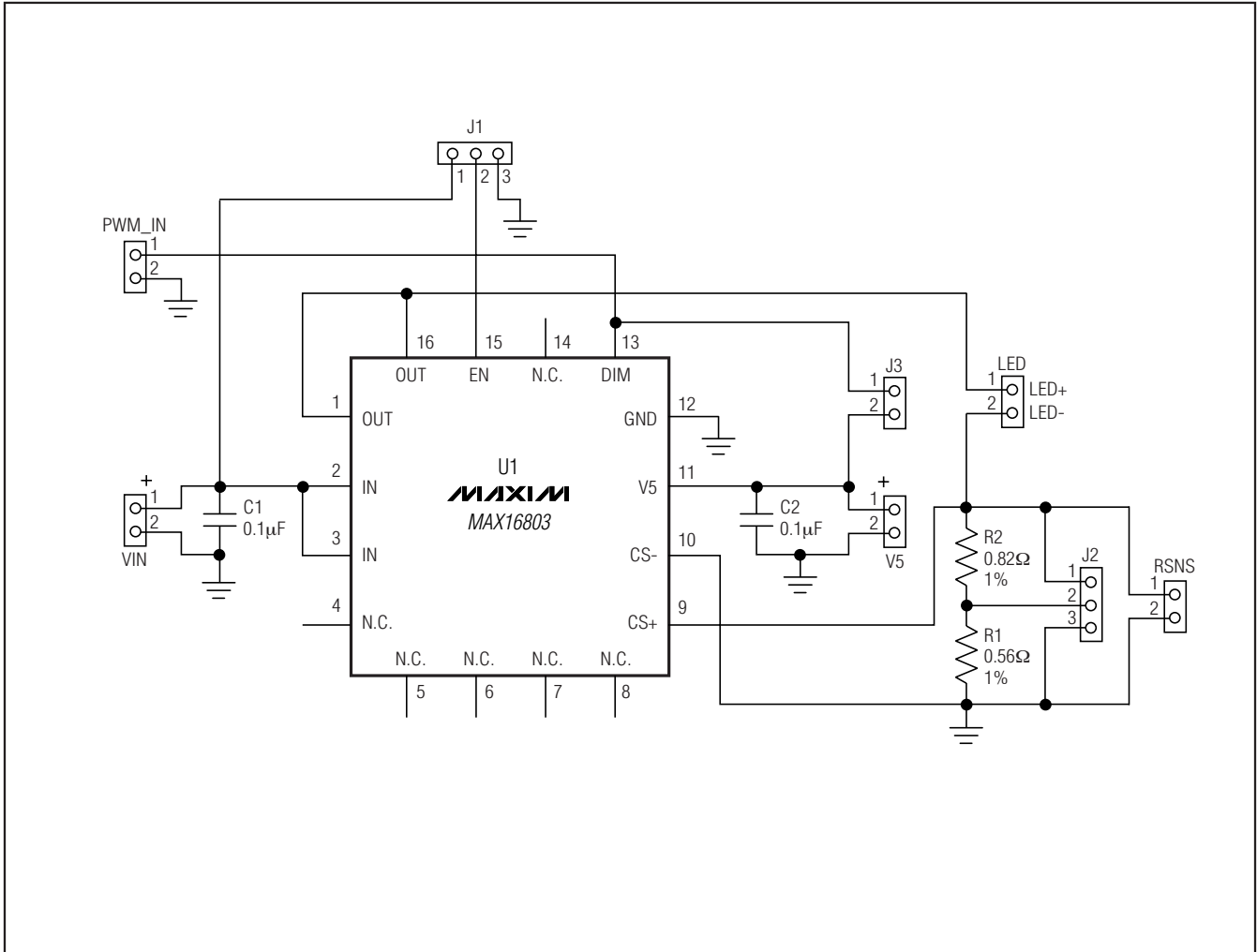


Figure 2. MAX16803 EV Kit Schematic

Quick Start

Recommended Equipment

Before beginning, the following equipment is needed:

- 0 to 30V or above, 0.5A DC power supply

Procedure

The MAX16803 EV kit is fully assembled and tested. Follow these steps to verify operation. **Caution: Do not turn on the power supply until all connections are completed.**

- 1) Connect a DC power supply (0 to 30V or above, 0.5A) to VIN.
- 2) Place jumper J1 between pins 1-2 to enable U1.
- 3) Close jumper J3.
- 4) Open all pins of jumper J2 to select 150mA output current.
- 5) Connect a 350mA-rated LED between LED+ and LED-.
- 6) Turn on the power supply and increase the input voltage above 6.5V. The LED glows with full brightness. Measure the LED current, and it shows 150mA \pm 3.5%.
- 7) Increase the supply voltage to 16V and the LED current will be stable. Measure the LED current and it shows 150mA \pm 3.5%. Measure voltage across V5, and it shows 5.27V \pm 5%.

MAX16803 Evaluation Kit

Evaluates: MAX16803

Detailed Description of Hardware

The MAX16803 EV kit demonstrates a high-output-current LED driver with accurate current control based on the MAX16803 current regulator. This EV kit is capable of supplying regulated output currents of up to 350mA and can run at supply voltages between 6.5V and 40V. If the supply voltage is above the LED operating voltage by more than 7.5V, then the maximum output current should be limited to prevent the device from entering into thermal shutdown due to excessive power dissipation.

The MAX16803 EV kit features PWM dimming to control the LED brightness by varying the duty cycle of the PWM input signal. Users can select between three levels of output LED currents by setting jumper J3 (see Table 1 for jumper settings). The MAX16803 EV kit also includes a connection for the 5V-regulated output and access to the on-board current-sense resistor.

Output Current Setting

The output current can be set to 150mA, 250mA, or 350mA by adjusting the position of jumper J3 (see Table 1 for jumper settings). The current-sense resistor is accessible through the RSNS connector. The output current can be adjusted by removing R2 or R3, opening all the pins of J3, and then connecting a resistor across RSNS with a value calculated using the following equation:

$$R_{SNS} = \frac{0.203}{I_{OUT}}$$

where R_{SNS} is the external current-sense resistor and I_{OUT} is the desired output current.

PWM Dimming

The PWM dimming is for controlling the LED brightness by adjusting the duty cycle of the PWM input signal connected to the PWM_IN input. A HIGH at PWM_IN input turns on the output current and a LOW turns off the output current. Connect a signal with peak amplitude between 5V and 40V and with frequency between 100Hz and 2kHz and vary the duty cycle to adjust the LED brightness. LED brightness increases when duty cycle increases and vice versa. Duty cycle can be as low as 10% even at a PWM frequency of 2kHz.

Power Dissipation

Thermal shutdown turns the device off if power dissipation in the IC causes the junction temperature to reach +155°C (typ). An external resistor can be added at the input to the device or in series with LED to reduce the power dissipation in the IC. The resistor's power rating should be higher than I^2R . (I is the input current or LED current, and R is the value of the added resistor.)

Use the following equation to calculate the maximum LED current that can be drawn from the device without causing a thermal shutdown:

$$I_{LEDMAX} = \frac{2.666}{V_{IN} - V_{LED}}$$

where 2.666W is the maximum power dissipation capacity of the device when mounted on a board as per JEDEC specifications with ambient temperature below +70°C. V_{IN} is the input supply voltage and V_{LED} is the operating voltage of the LED.

5V-Regulated Output

The +5V regulator can be used to power other components from the V5 connector. The 5V output can supply up to 4mA of current and is not disabled during PWM off.

Jumper Selection

Three-pin jumper J1 controls the EN pin of the MAX16803 and can enable or disable the device. Three-pin jumper J2 can select between three different output current settings. Two-pin jumper J3 controls the PWM input of the device. Close J3 to disable PWM dimming. Table 1 lists the jumper options.

Table 1. Jumper J1, J2, and J3 Functions

JUMPER	SHUNT POSITION AND FUNCTION		
	1-2	2-3	Open
J2	U1 enabled	U1 disabled	—
J2	350mA	250mA	150mA
J3	Closed: PWM disabled Open: PWM enabled		

MAX16803 Evaluation Kit

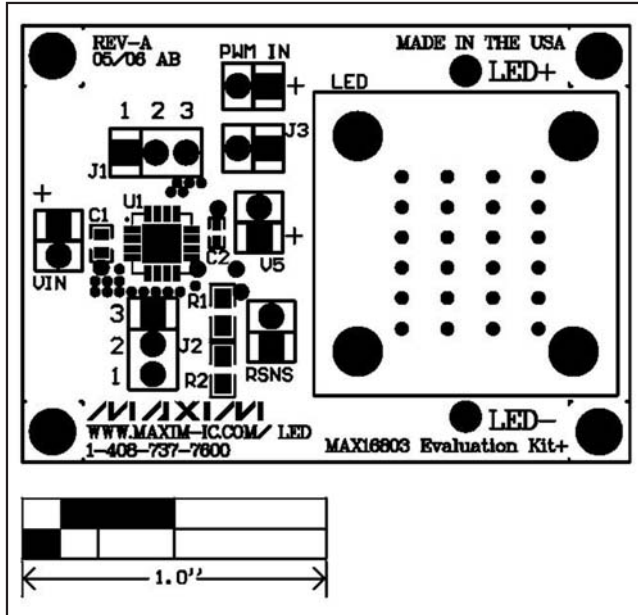


Figure 3. MAX16803 EV Kit Component Placement Guide—Component Side

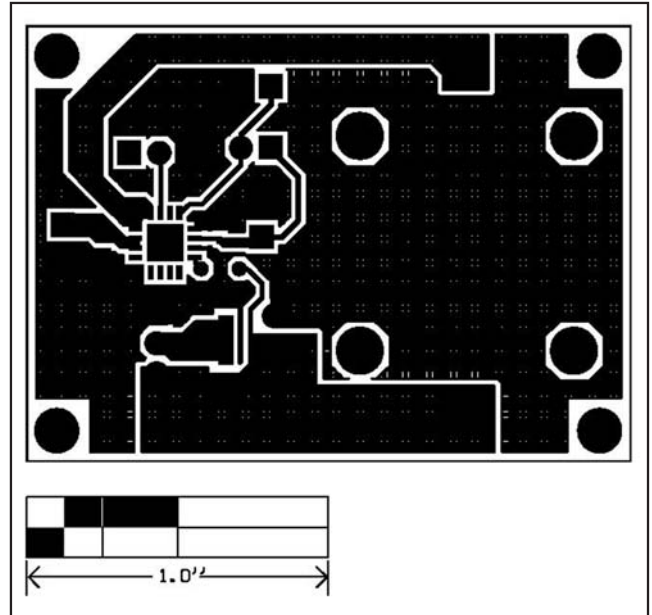


Figure 4. MAX16803 EV Kit PCB Layout—Component Side

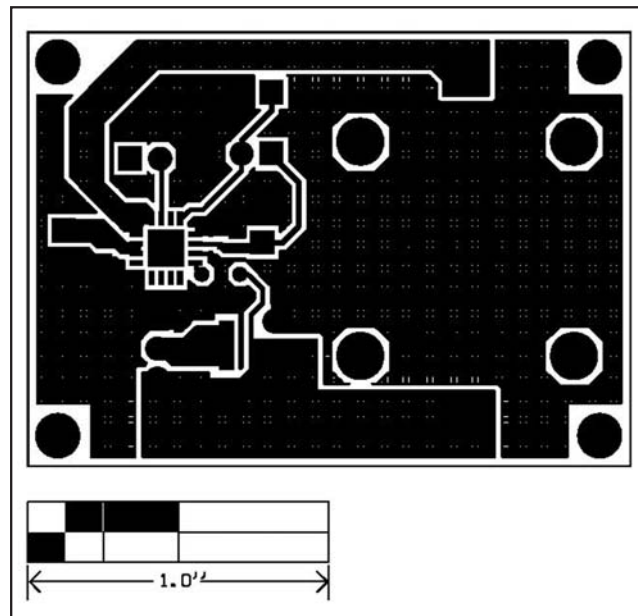


Figure 5. MAX16803 EV Kit PCB Layout—Solder Side

MAX16803 Evaluation Kit

Revision History

REVISION NUMBER	REVISION DATE	DESCRIPTION	PAGES CHANGED
0	8/06	Initial release	—
1	11/08	Removed LED from EV kit.	1

Evaluates: MAX16803

Maxim cannot assume responsibility for use of any circuitry other than circuitry entirely embodied in a Maxim product. No circuit patent licenses are implied. Maxim reserves the right to change the circuitry and specifications without notice at any time.

Maxim Integrated Products, 120 San Gabriel Drive, Sunnyvale, CA 94086 408-737-7600 _____ **5**