

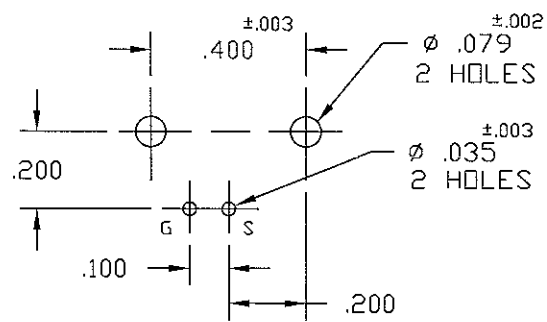
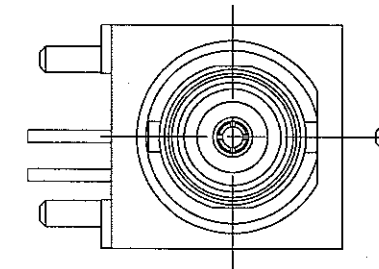
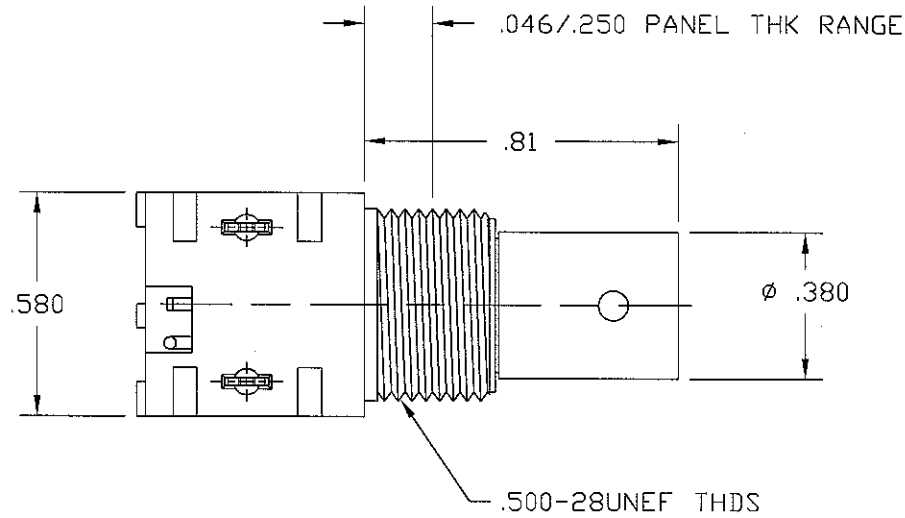
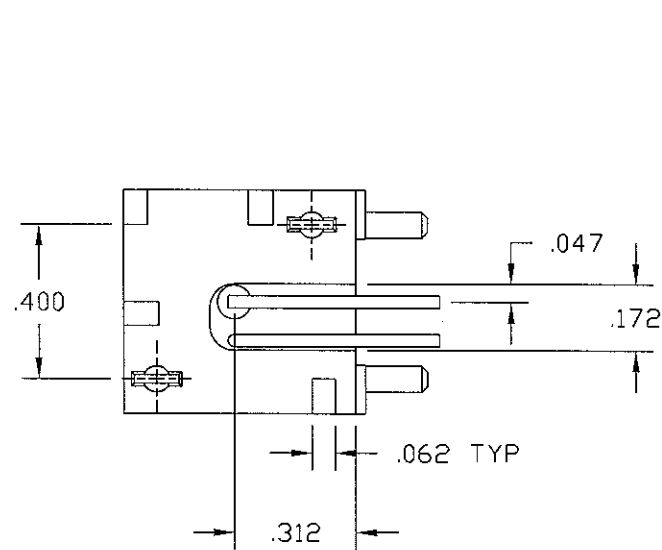
NOTES:

- MATERIAL: OUTER INSULATOR CASING - BLACK VALOX
INSULATOR - WHITE NORYL
CENTER CONTACT - GOLD PLATED PHOSPHOR BRONZE
BODY - NICKEL PLATED ZINC CASTING
MOUNTING LEGS - TIN PLATED
TERMINALS - TIN PLATED COPPER WIRE
- SEPARATELY SUPPLIED NUT & LOCKWASHER, TO BE TIGHTENED DOWN TO 10 IN-LBS. MIN/15 IN-LBS MAX. WHEN ASSEMBLING TO PANEL.
- DO NOT SCALE THIS DRAWING.
- UNLESS OTHERWISE SPECIFIED, ALL DIMENSIONS ARE AFTER PLATING.

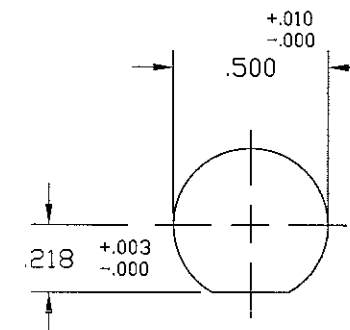
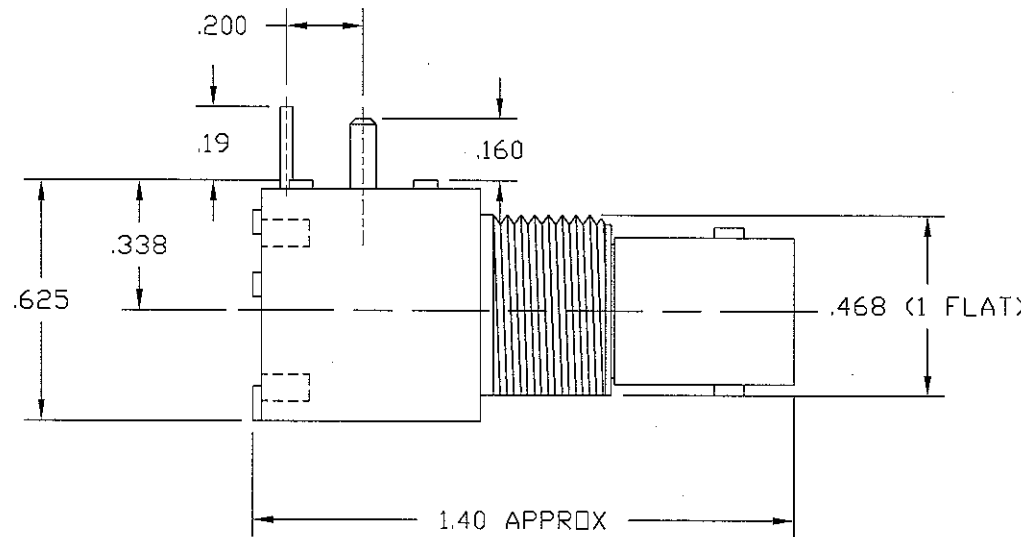
31-5538

REVISIONS

DRAWING NO.	REV	DESCRIPTION	DATE	ECO	APPR
THIRD ANGLE PROJ.	A	RELEASE TO MFG.	12/7/90	37726	DR
	E	SEE SHEET 1 FOR REVISIONS	10/11/96	37726	CPM/DR
	F	SEE SHEET 1 FOR REVISIONS	6/4/99	43003	CPM/
	G	SEE SHEET 1 FOR REVISIONS	6/29/00	43418	CPM/
	H	SEE SHEET 1 FOR REVISIONS	2/3/05	45257	CPM/



PC HOLE MTG



MTG. HOLE DIM'S

CUSTOMER OUTLINE DRAWING

UNLESS OTHERWISE SPECIFIED, DIMENSIONS ARE IN INCHES AND TOLERANCES ARE: 2 PLACE DECIMAL ±.015 (0,381 mm) 3 PLACE DECIMAL ±.005 (0,127 mm) ANGLES ± 1'	MATERIAL	DRAWN T. ALBERA	DATE 11/30/90	TITLE BNC JACK RT/ANGLE MOUNT PCB RECEPT (BLK)	Amphenol Amphenol Corporation RF/Microwave Operations Danbury, Conn. U.S.A. 06810
	REFERENCE EAR 962193-0	ENGINEER D. ROYCE	DATE 11/30/90	APPROVED D. ROYCE	
NOTICE - These drawings, specifications, or other data (1) are, and remain the property of Amphenol Corp. (2) must be returned upon request; and (3) are confidential and not to be disclosed to any person other than those to whom they are given by Amphenol Corp. The furnishing of these drawings, specifications, or other data by Amphenol Corp., or to any other person to anyone for any purpose is not to be regarded by implication or otherwise in any manner licensing, granting rights or permitting such holder or any other person to manufacture, use or sell any product, process or design, patented or otherwise, that may in any way be related to or disclosed by said drawings, specifications, or other data.		CAD FILE H:\DEPT611\BNC\031\ASSY\5538SHT2.DWG	CODE ID 74868	DWG SIZE B	DRAWING NO. 31-5538
					ISSUE H